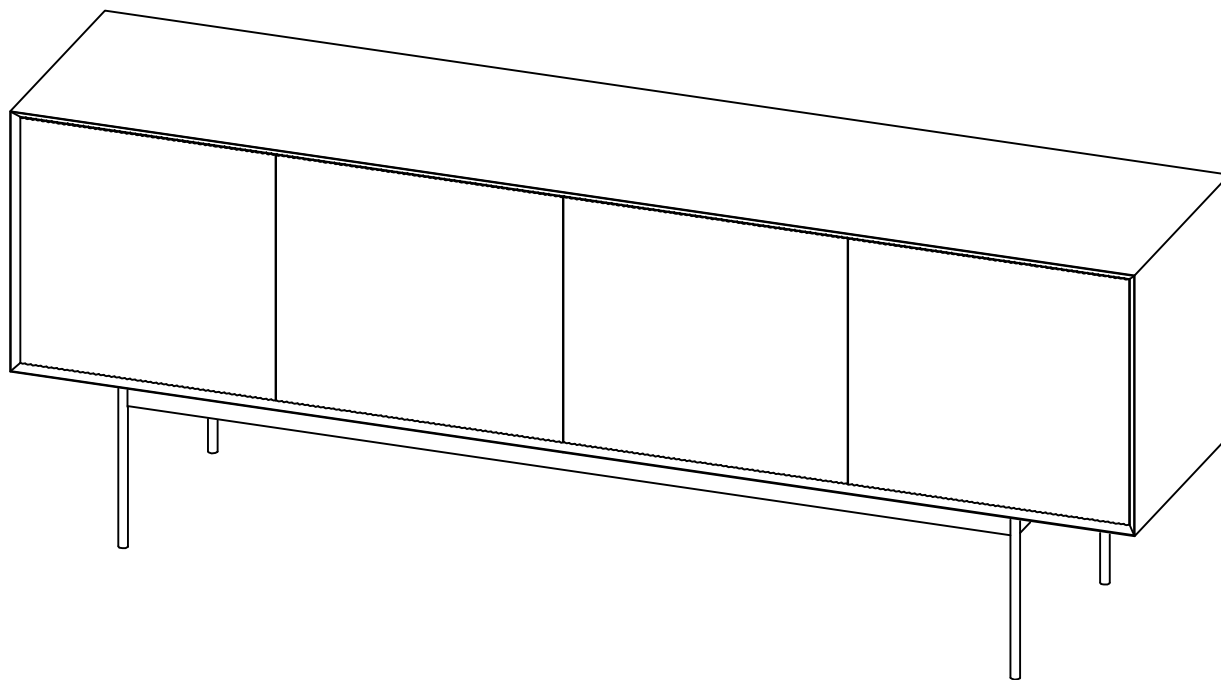


SUTTON



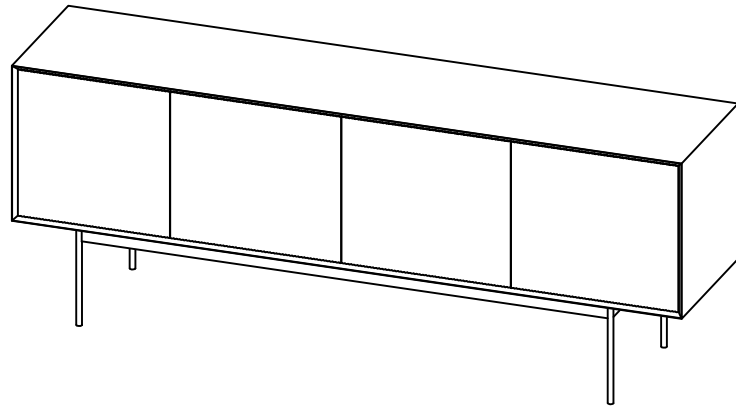
MODLOFT



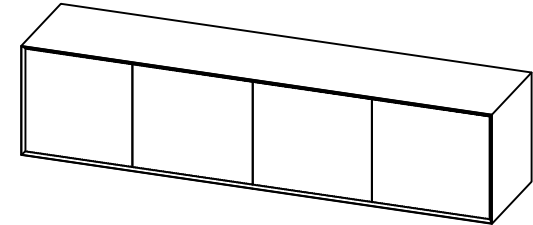
ASSEMBLY INSTRUCTION

SUTTON MD718

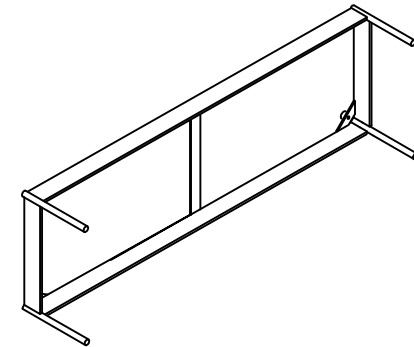
PARTS



① x 1



② x 1



HARDWARE



M6 X 15

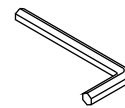
Ⓐ x 5



Ø13 X 07 x 01

Ⓑ x 5

TOOL



Ⓓ x 1



ASSEMBLY INSTRUCTION

SUTTON MD718

STEP 1

