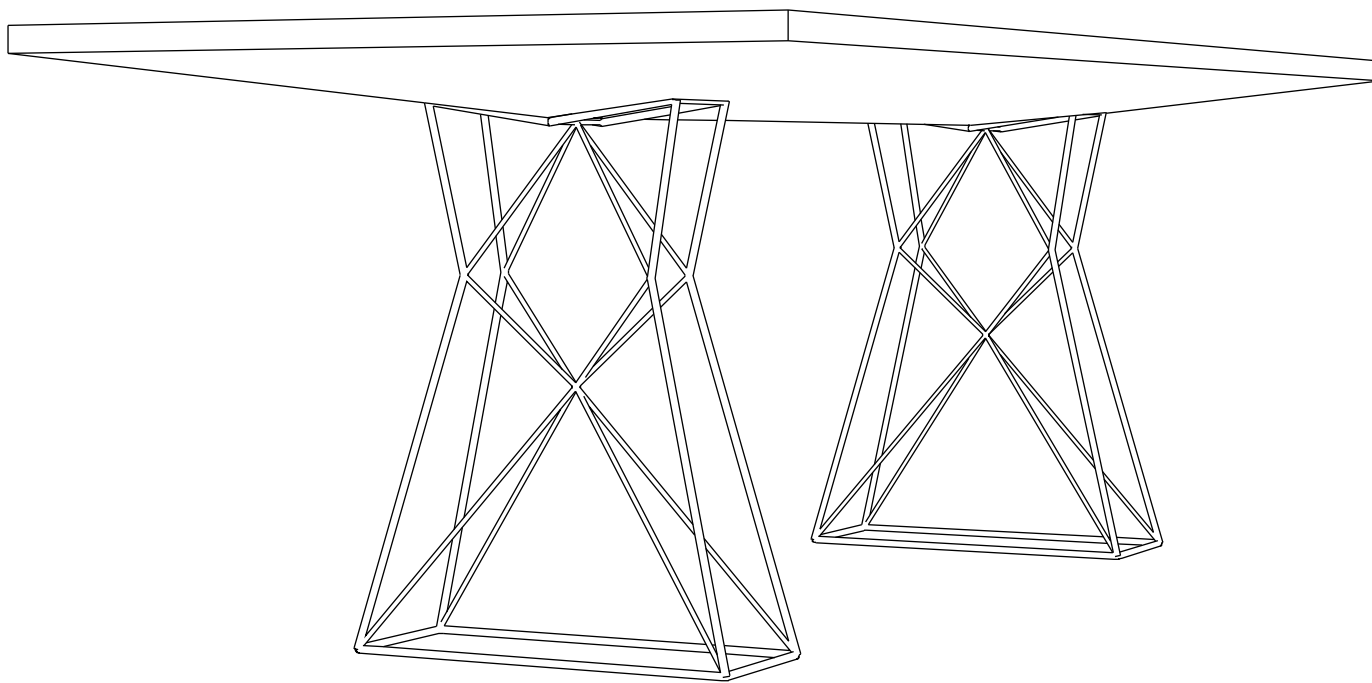


# CURZON



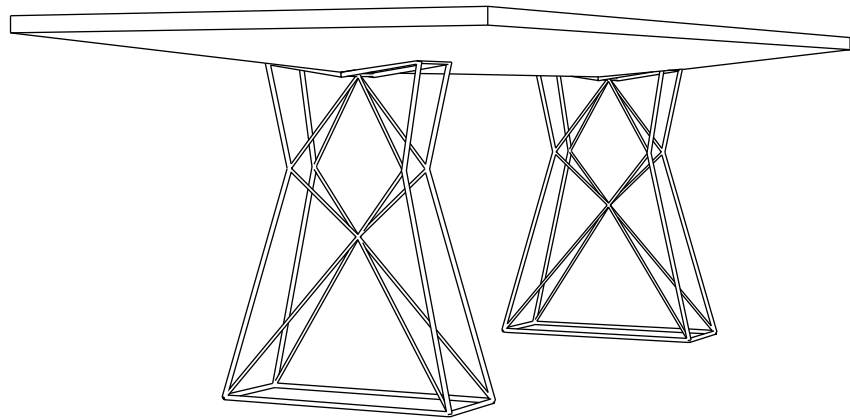
MODLOFT



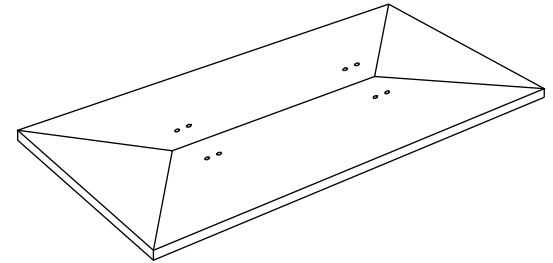
# ASSEMBLY INSTRUCTION

## CURZON MJC176-PBL6

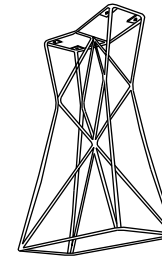
### PARTS



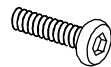
① x 1



② x 2



#### HARDWARE



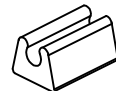
M6 X 1"

Ⓐ x 8



Φ13 X 6 X 1

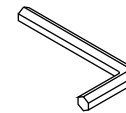
Ⓑ x 8



28 X 19 X 13

Ⓒ x 8

#### TOOL

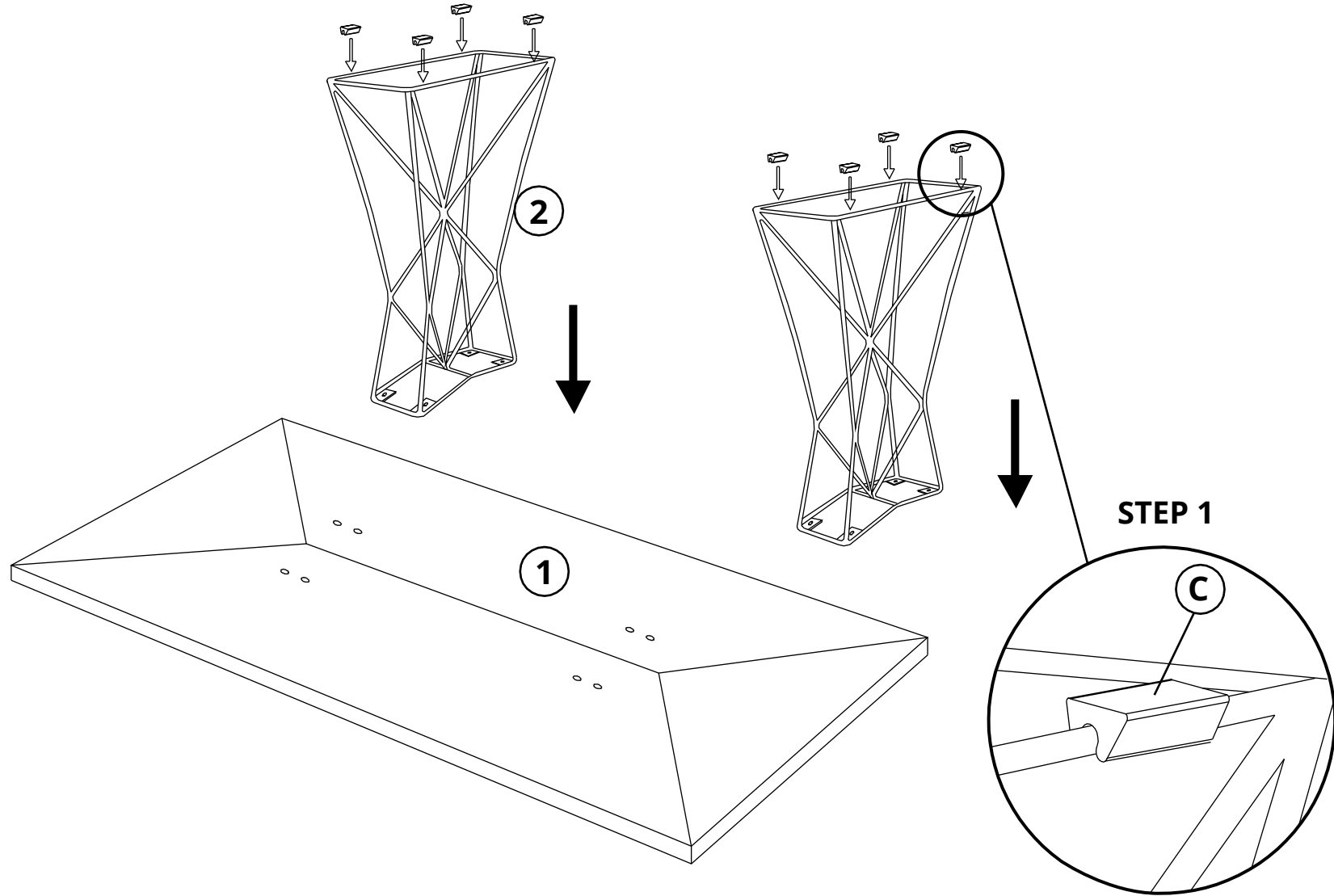


Ⓓ x 1



# ASSEMBLY INSTRUCTION

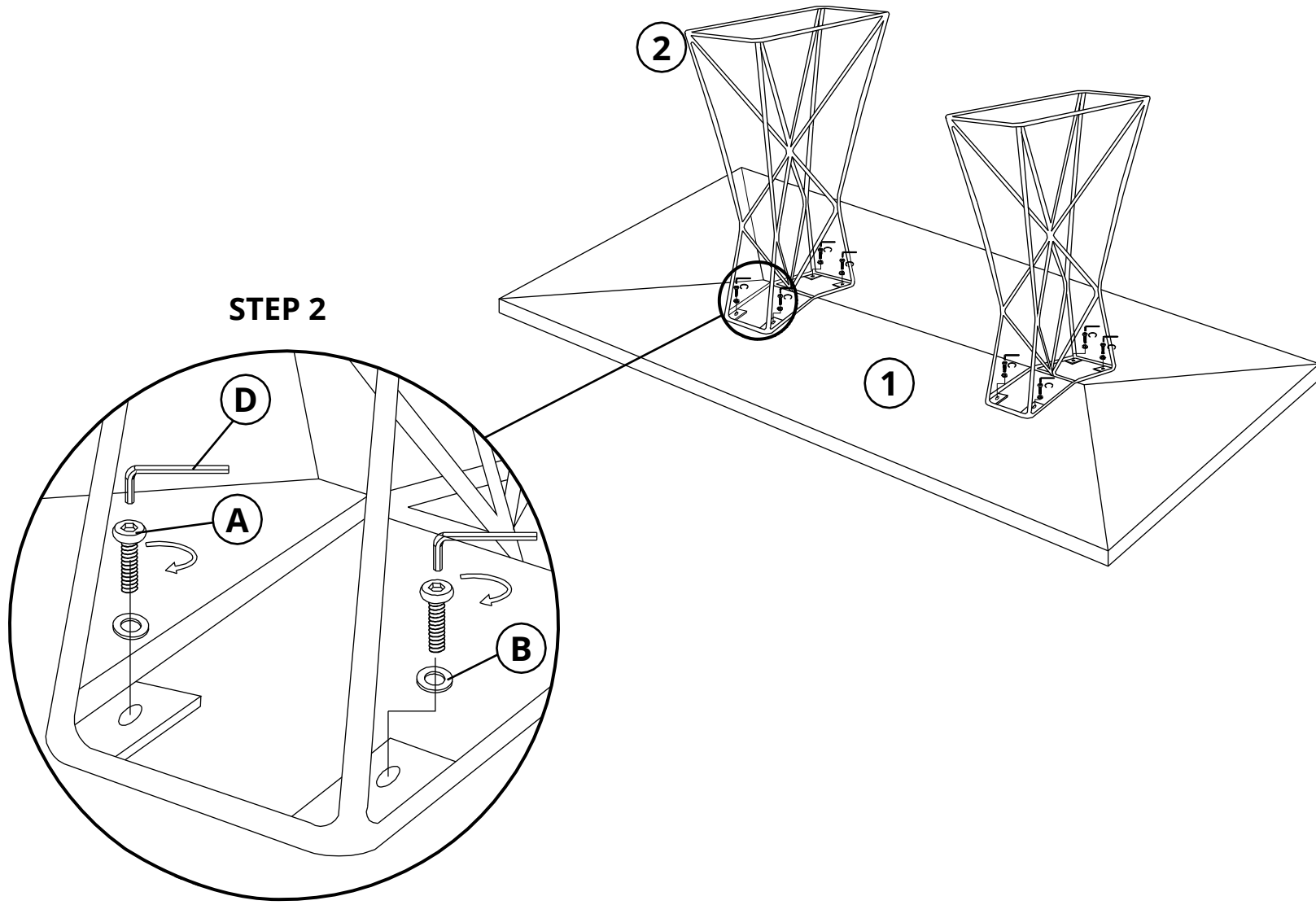
## CURZON MJC176-PBL6



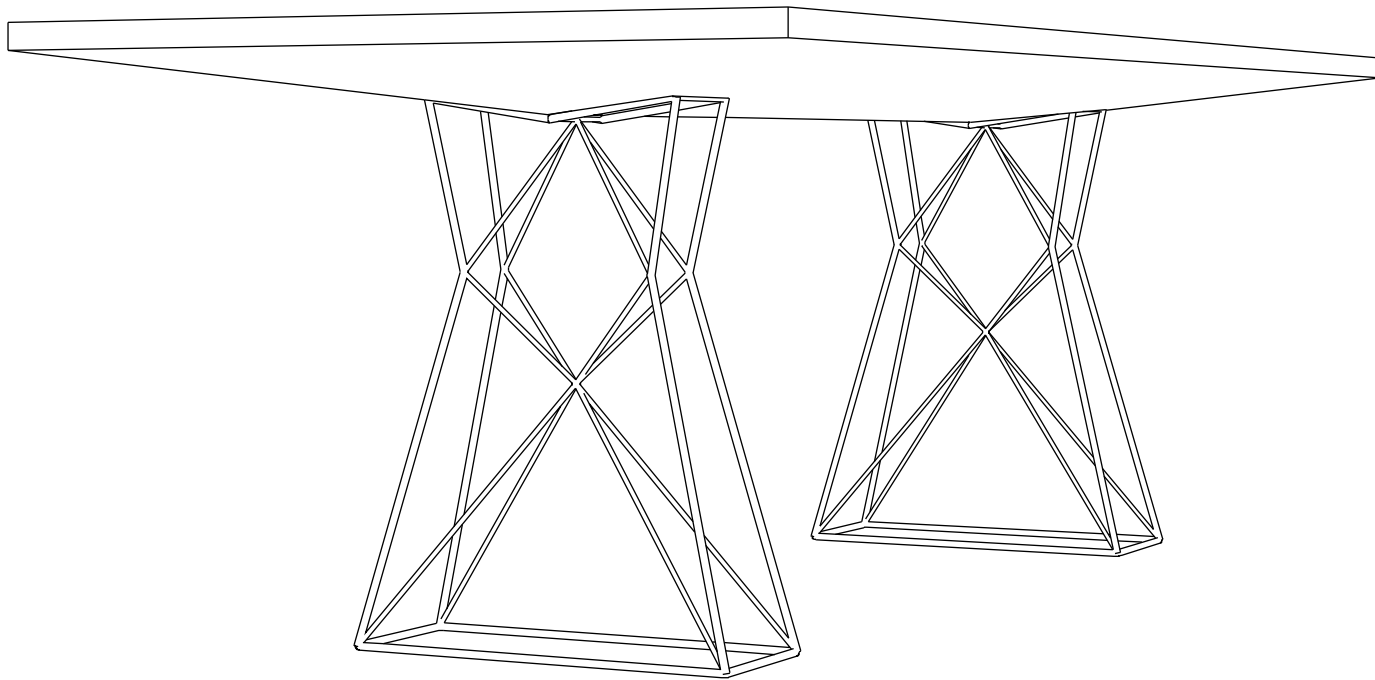


# ASSEMBLY INSTRUCTION CURZON MJC176-PBL6

**STEP 2**



# CURZON



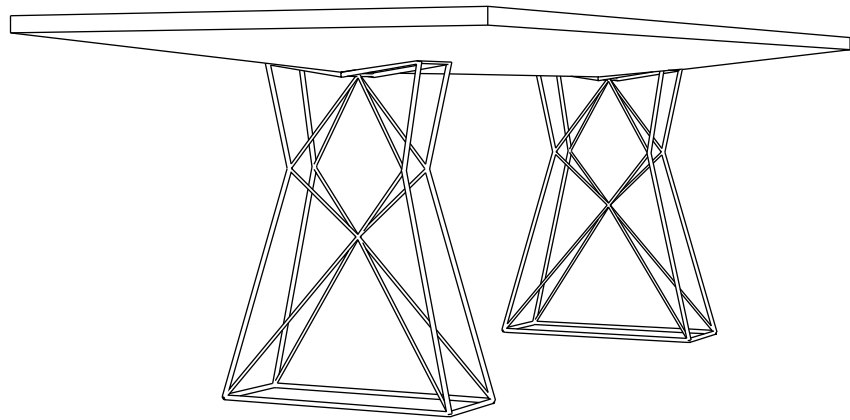
MODLOFT



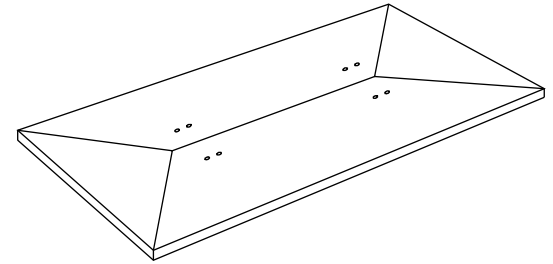
# ASSEMBLY INSTRUCTION

## CURZON MJN176-PBL6

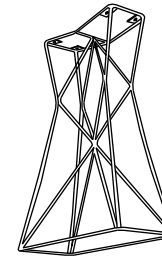
### PARTS



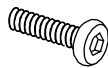
① x 1



② x 2



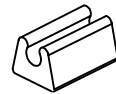
#### HARDWARE



M6 X 1"  
① x 8

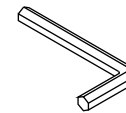


Φ13 X 6 X 1  
② x 8



28 X 19 X 13  
③ x 8

#### TOOL

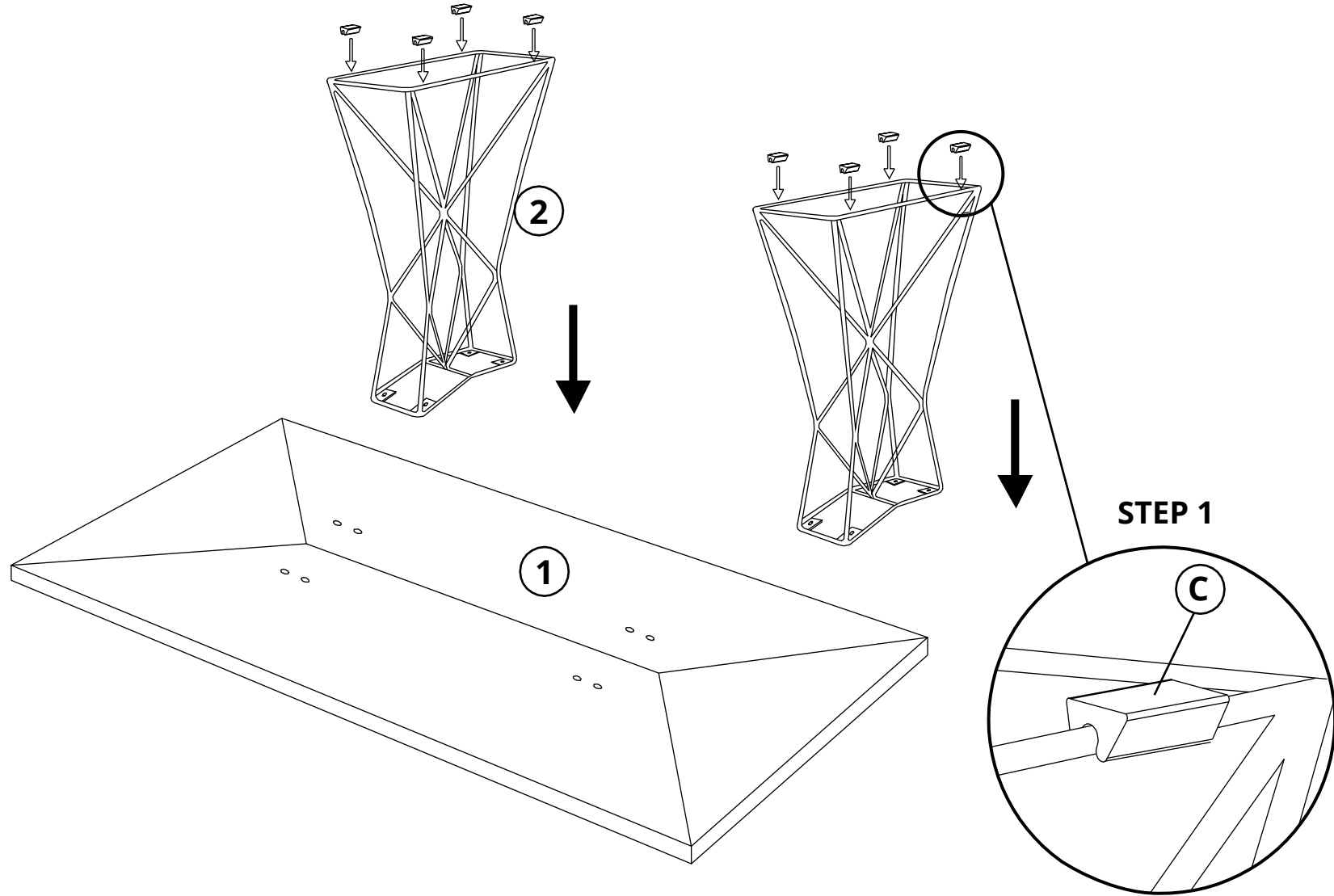


④ x 1



# ASSEMBLY INSTRUCTION

## CURZON MJN176-PBL6





# ASSEMBLY INSTRUCTION CURZON MJN176-PBL6

**STEP 2**

