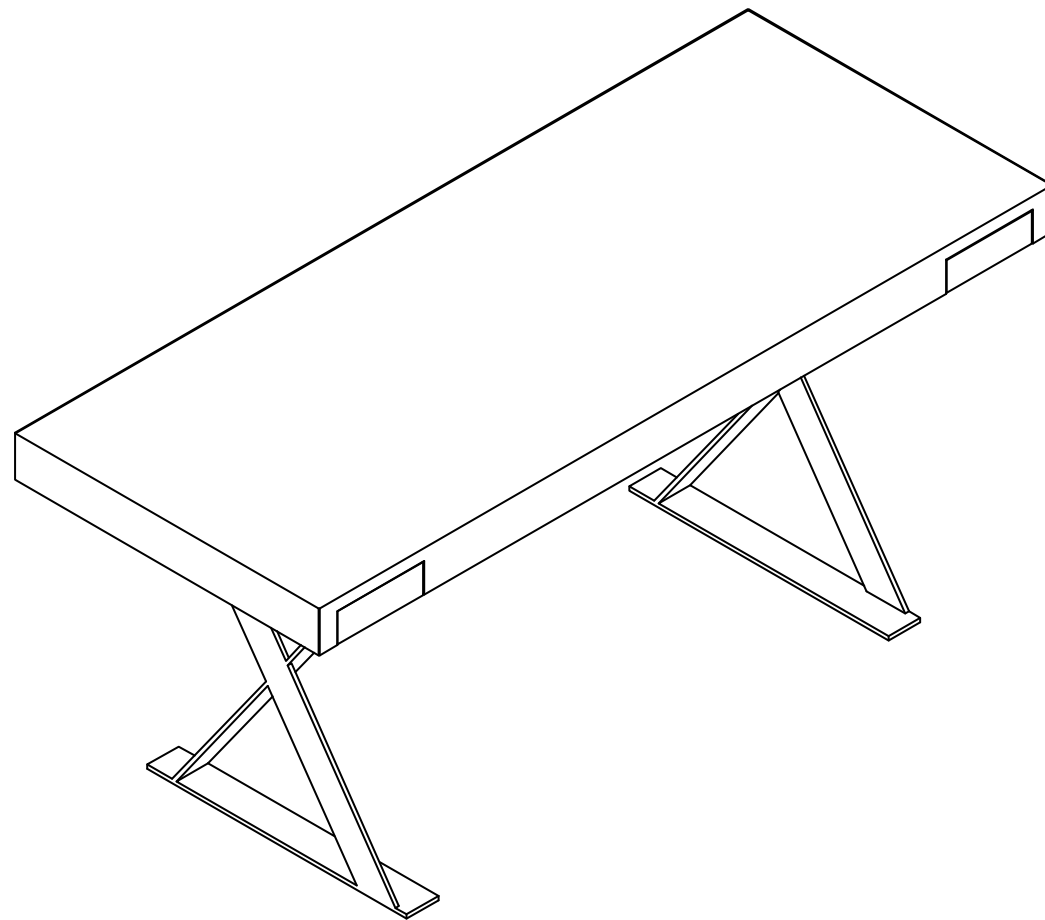


BARROW



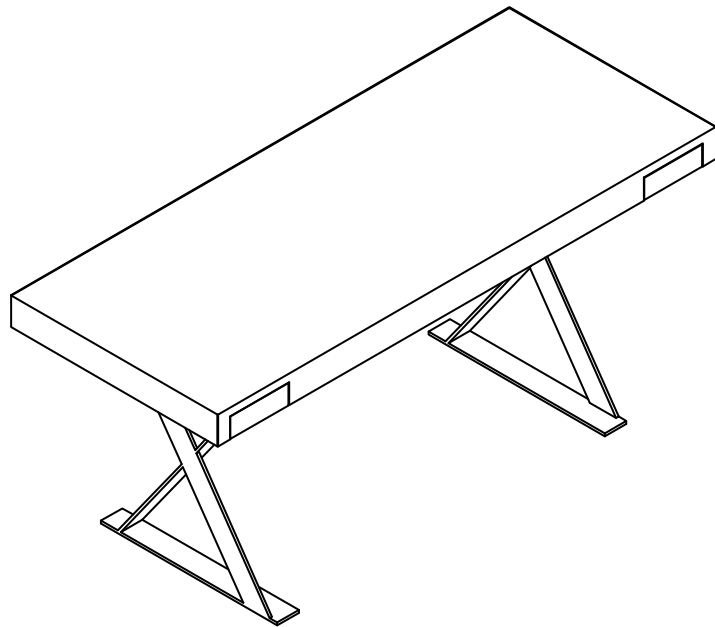
MODLOFT



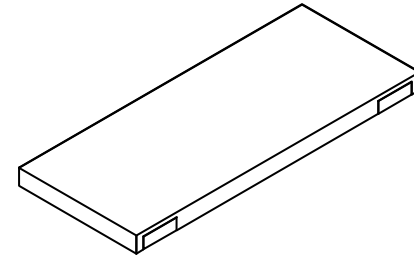
ASSEMBLY INSTRUCTION

BARROW MD157

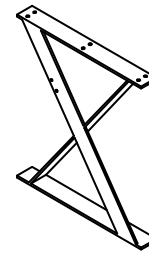
PARTS



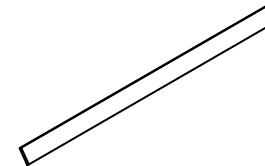
① x 1



② x 2 (Left - Right)



③ x 1



HARDWARE



M8 X 30

Ⓐ x 12



M6 X 20

Ⓑ x 4



Ø17 X Ø8 X Ø2

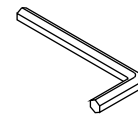
Ⓒ x 12



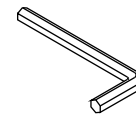
Ø13 X Ø7 X Ø1

Ⓓ x 4

TOOL



Ⓔ x 1

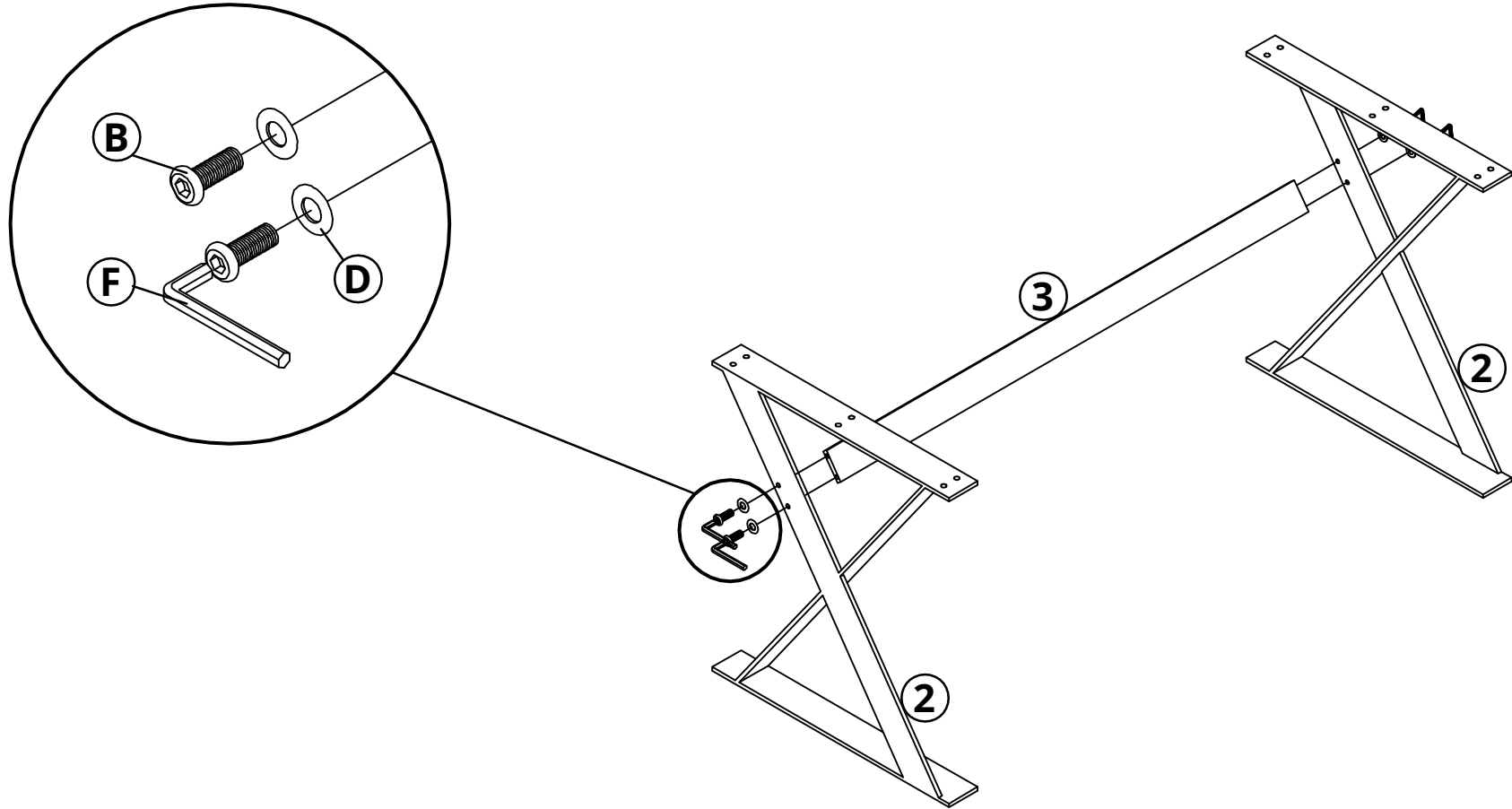


Ⓕ x 1



ASSEMBLY INSTRUCTION BARROW MD157

STEP 1





ASSEMBLY INSTRUCTION

BARROW MD157

