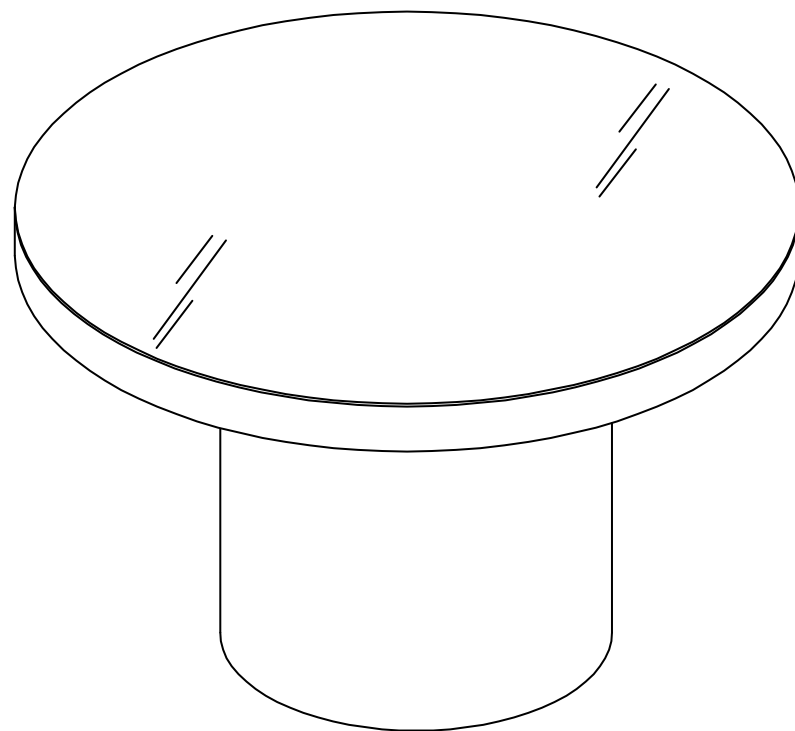


BERKELEY

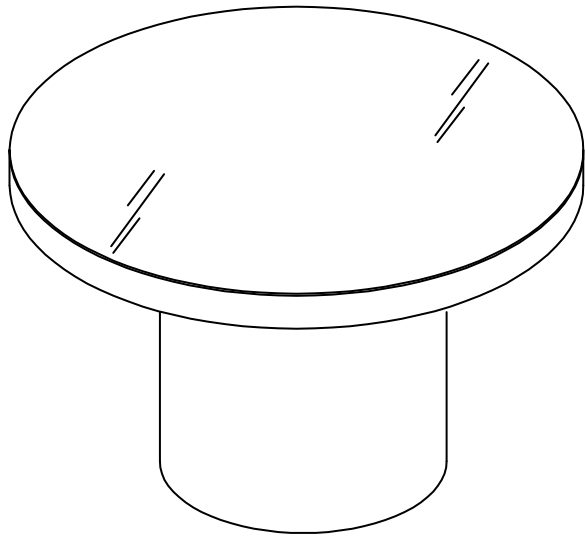


MODLOFT

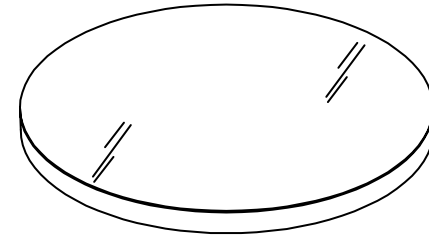


ASSEMBLY INSTRUCTION BERKELEY MD514

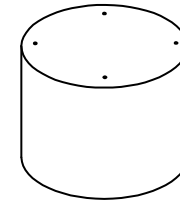
PARTS

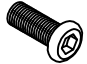

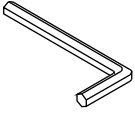


① x 1



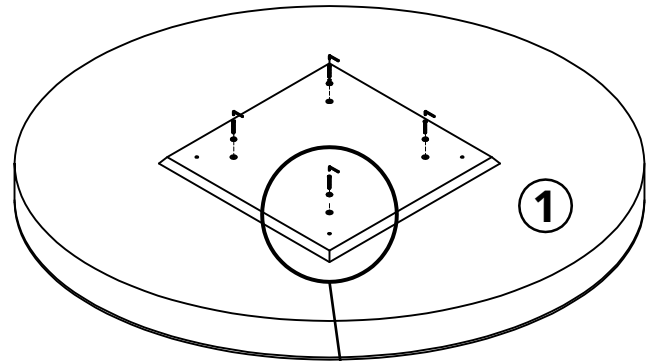
② x 1



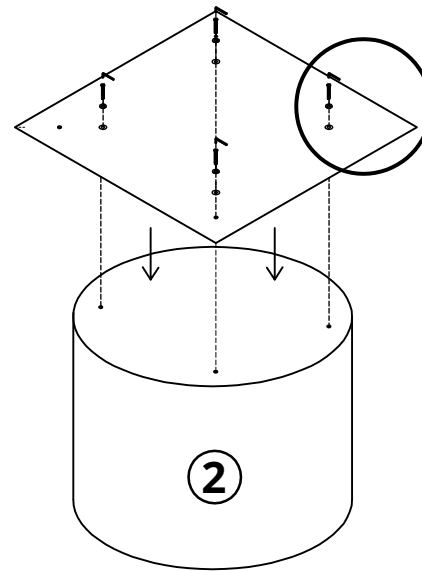
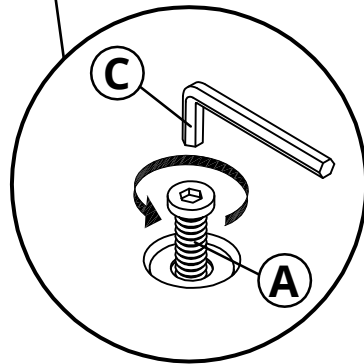
HARDWARE		TOOL
		
M8 X 30	Ø17 X Ø8 X Ø2	
Ⓐ x 4	Ⓑ x 4	Ⓒ x 1



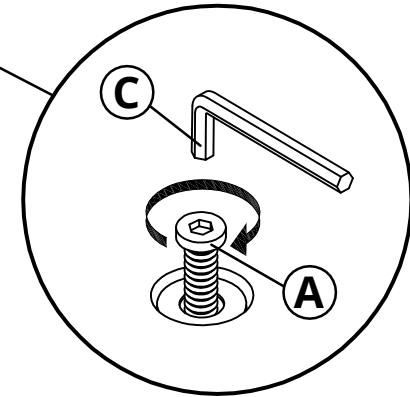
ASSEMBLY INSTRUCTION BERKELEY MD514



STEP 1



STEP 2





ASSEMBLY INSTRUCTION BERKELEY MD514

STEP 3

