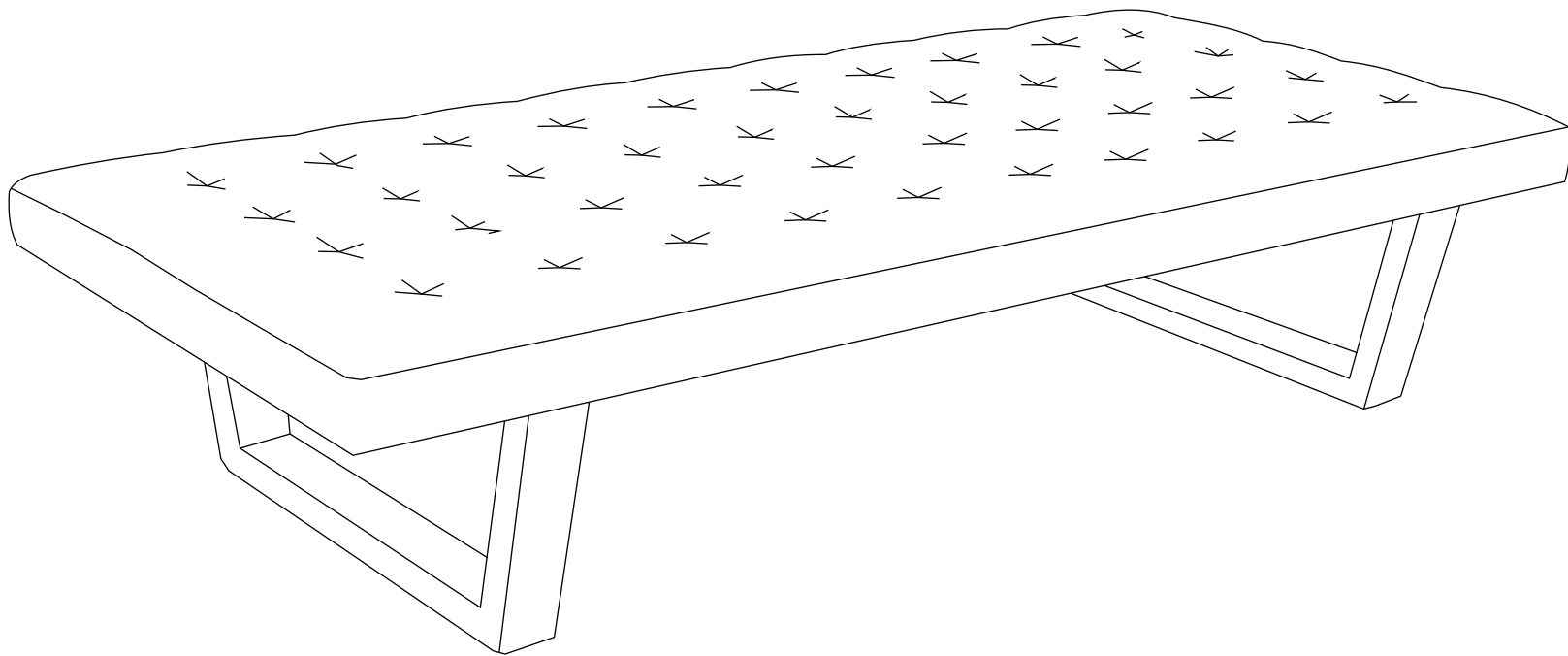


CHARLTON

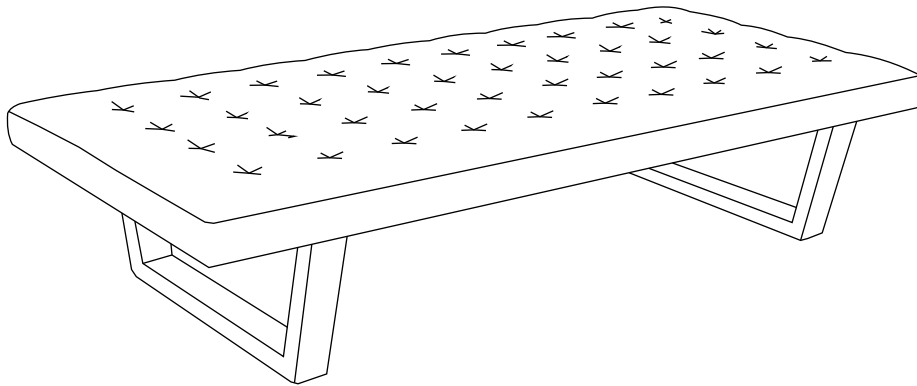


MODLOFT

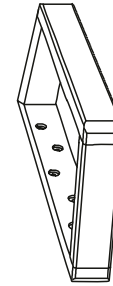


ASSEMBLY INSTRUCTION CHARLTON MD684

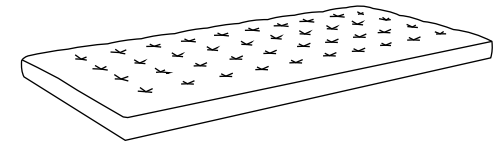
PARTS



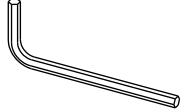


① x 2 (Left - Right)



② x 1

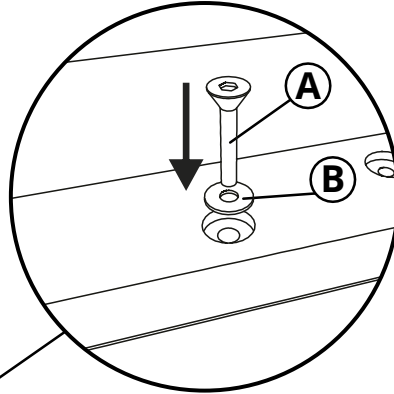


HARDWARE		TOOL
		
5/16" X 2"	5/16"	
Ⓐ x 10	Ⓑ x 4	Ⓒ x 1

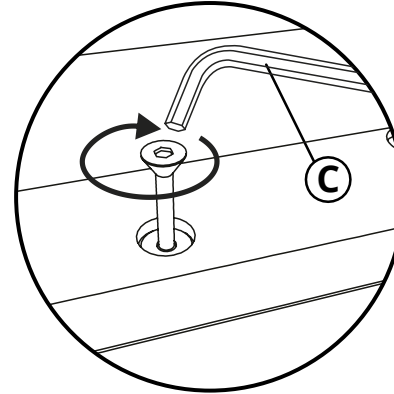


ASSEMBLY INSTRUCTION CHARLTON MD684

STEP 1



STEP 2



STEP 3

