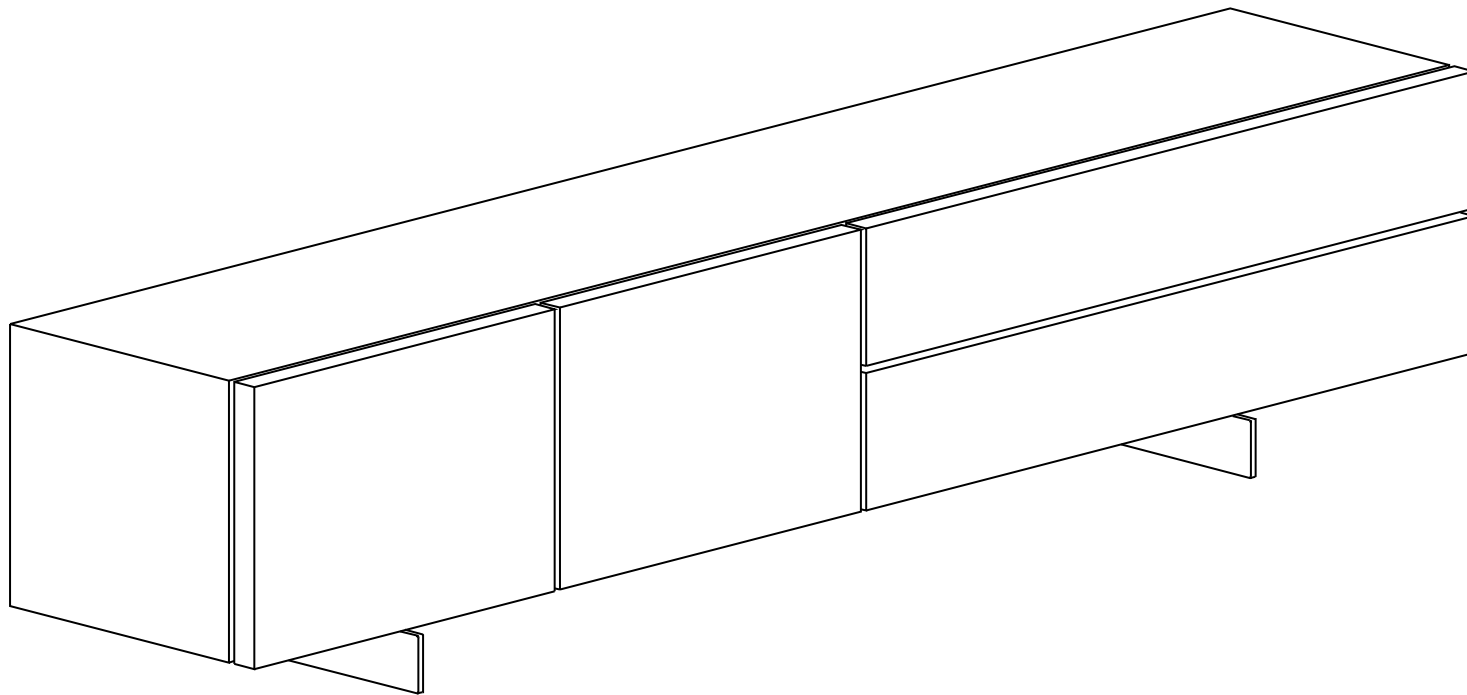


# FLETCHER

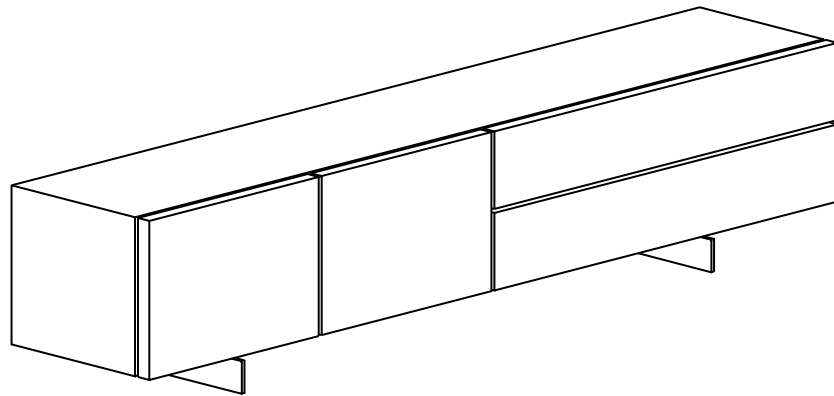


MODLOFT

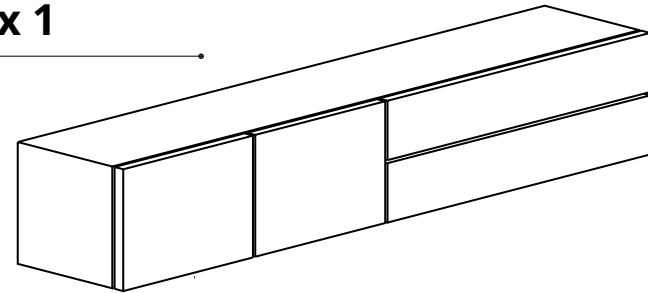


# ASSEMBLY INSTRUCTION FLETCHER MD207

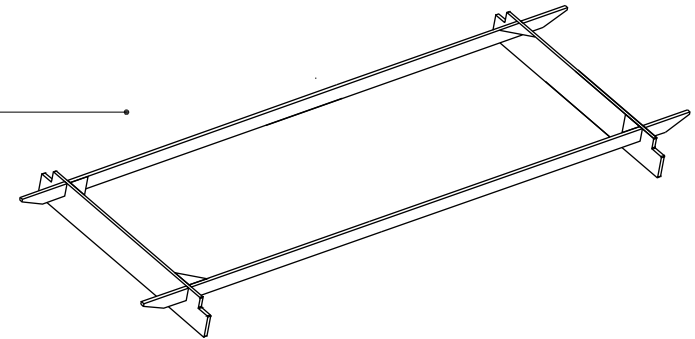
## PARTS



① x 1



② x 1



### HARDWARE



M6 X 15

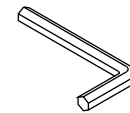
Ⓐ x 6



Φ13 X 6 X 1

Ⓑ x 6

### TOOL



Ⓒ x 1



# ASSEMBLY INSTRUCTION FLETCHER MD207

