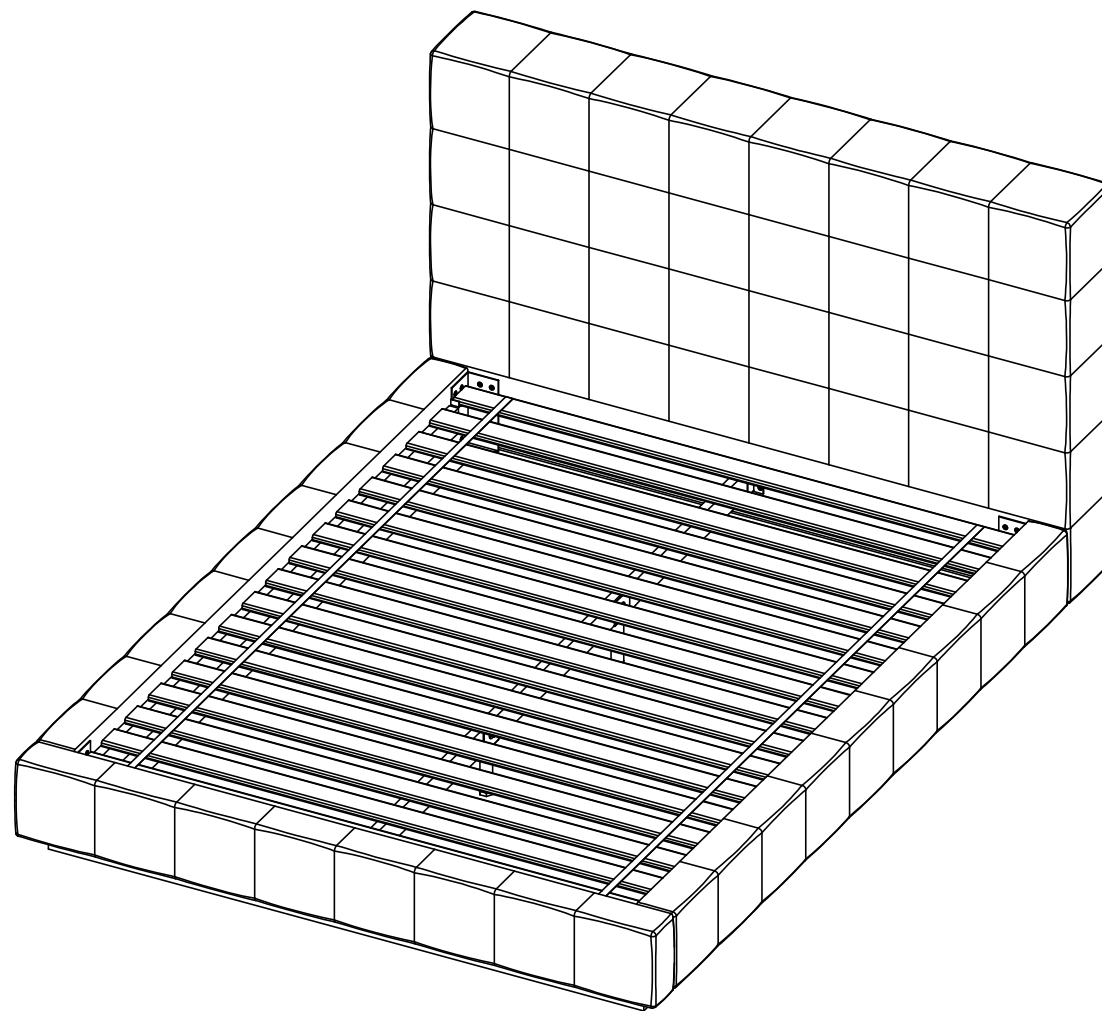


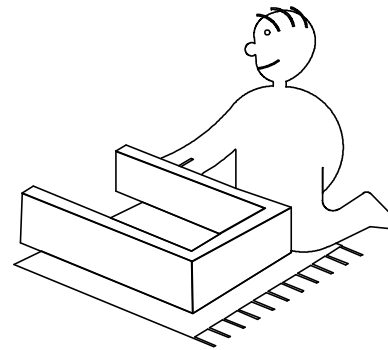
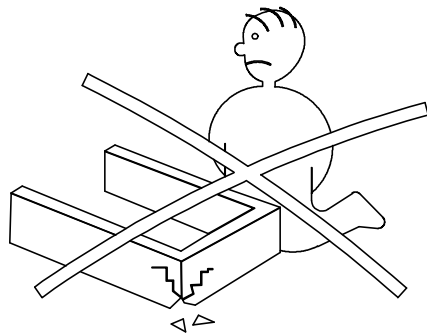
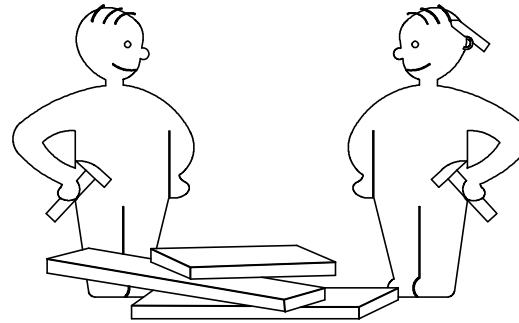
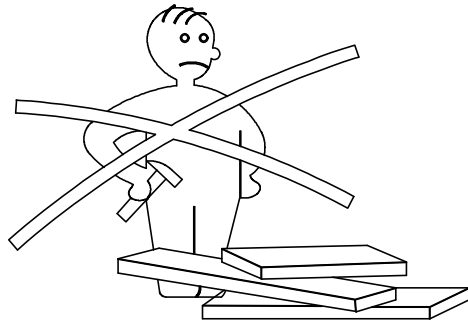
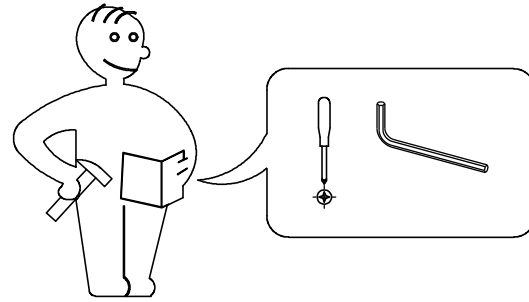
# THOMPSON



MODLOFT



# ASSEMBLY INSTRUCTION THOMPSON MD321-CK

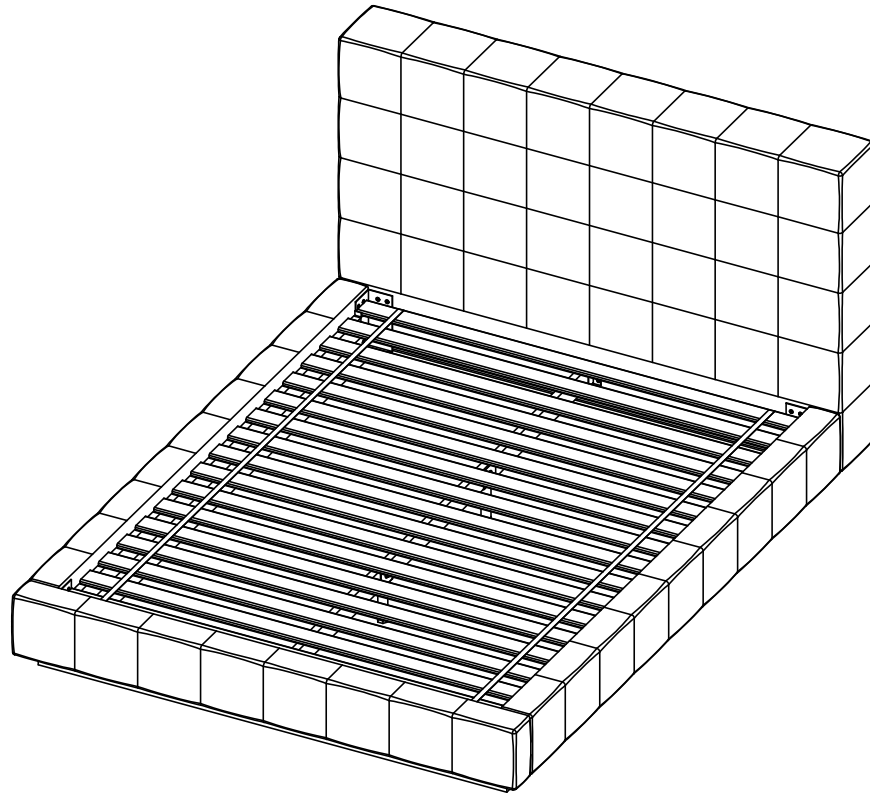




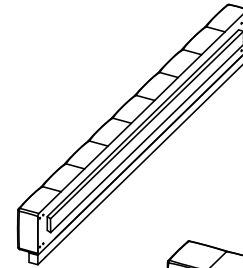
# ASSEMBLY INSTRUCTION

## THOMPSON MD321-CK

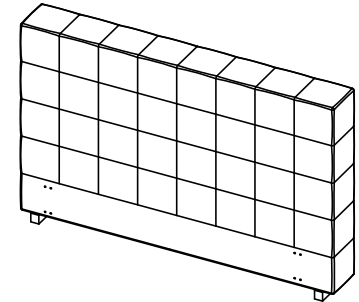
### PARTS



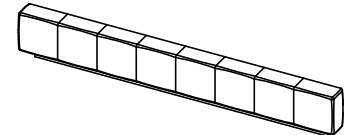
① x 2 (Left - Right)



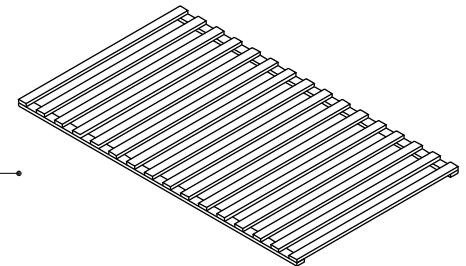
② x 1



③ x 1



④ x 1



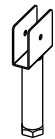
#### HARDWARE



Ⓐ x 4



Ⓑ x 4



Ⓒ x 4



1/4 x 1"

Ⓓ x 48



1/4 x 1 1/2"

Ⓔ x 4



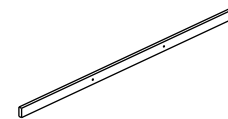
1/4"

Ⓕ x 4



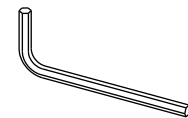
1/4"

Ⓖ x 4



Ⓗ x 2

#### TOOL



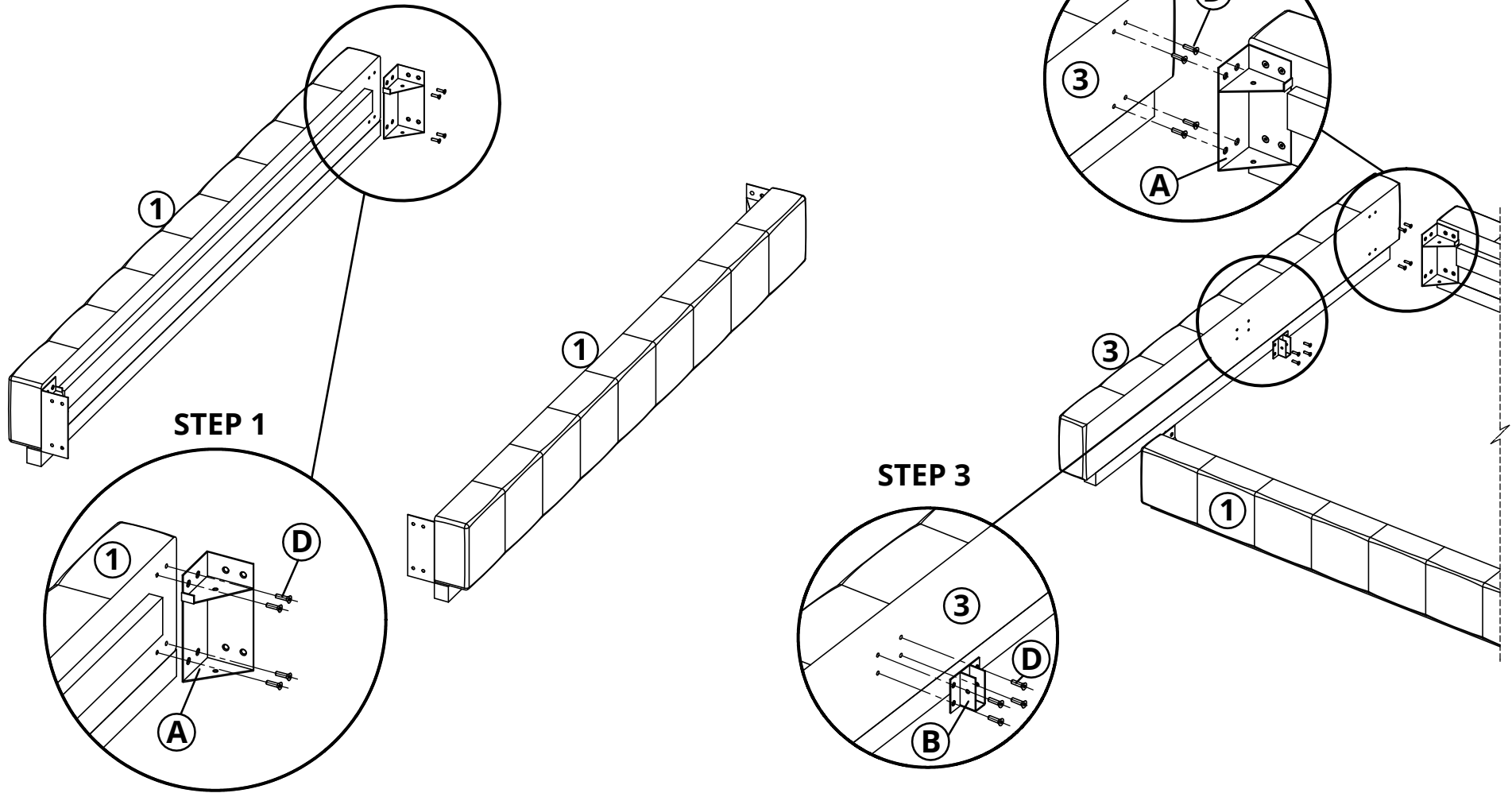
Ⓘ x 1



Ⓙ x 1

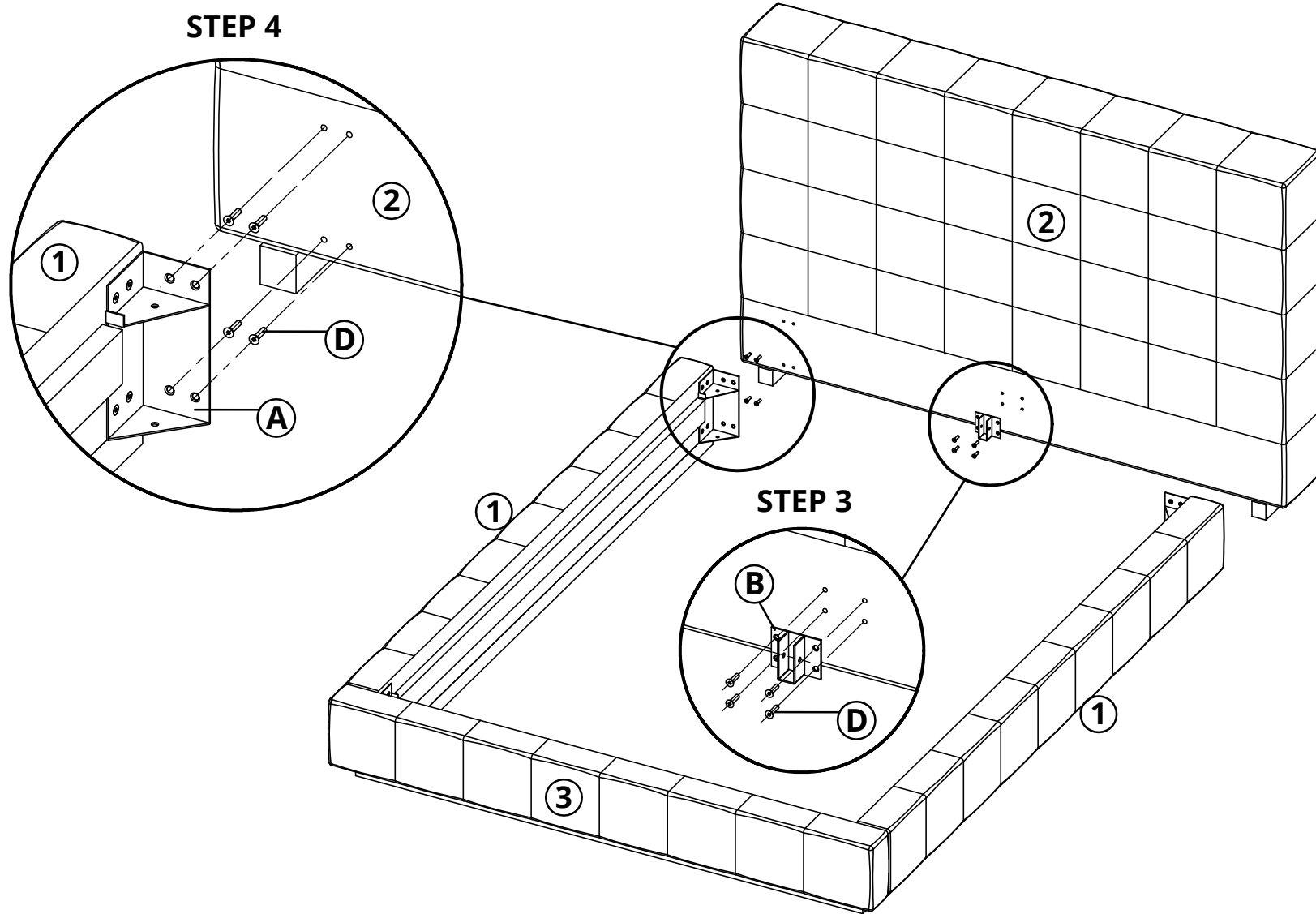


# ASSEMBLY INSTRUCTION THOMPSON MD321-CK





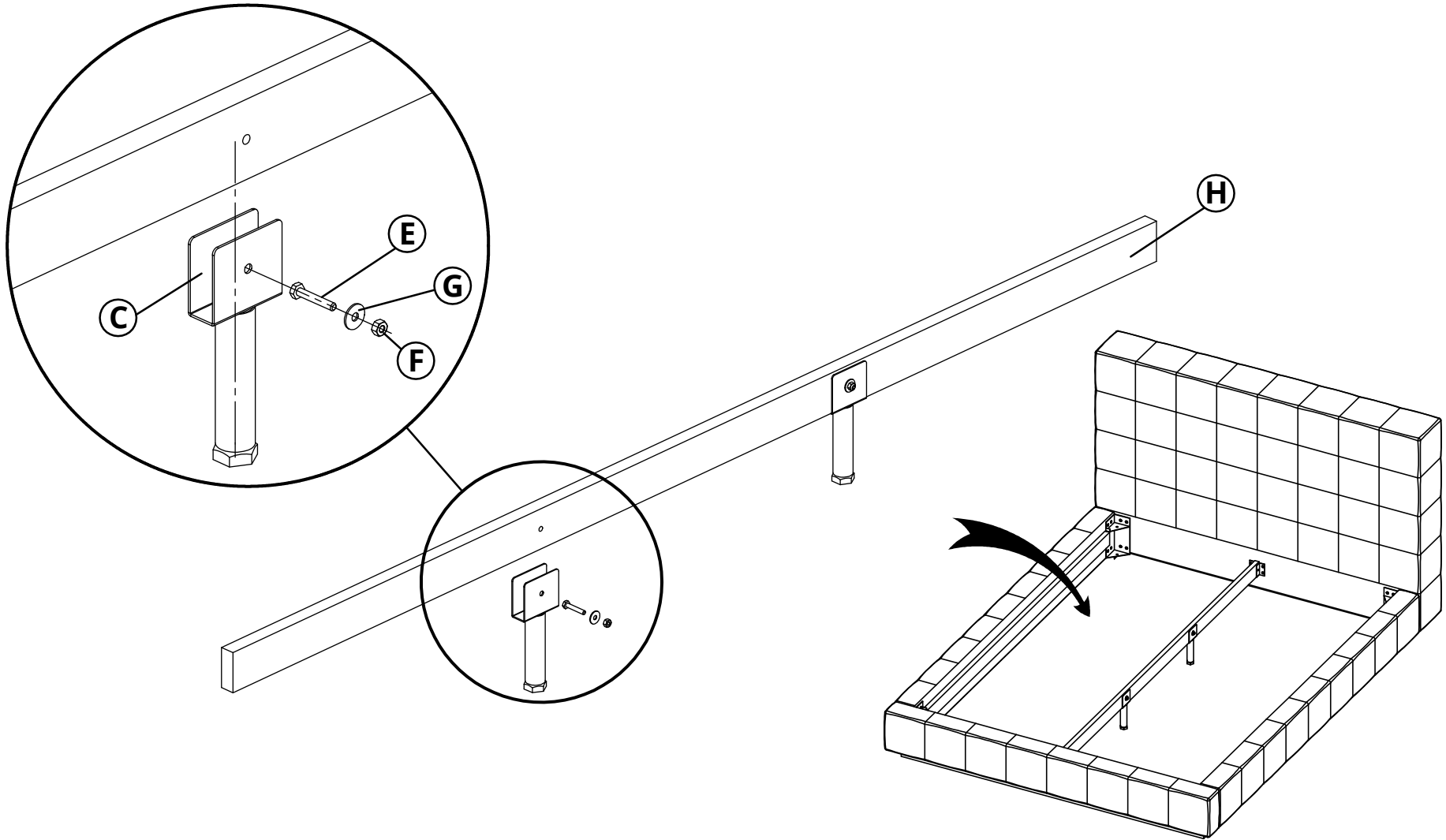
# ASSEMBLY INSTRUCTION THOMPSON MD321-CK



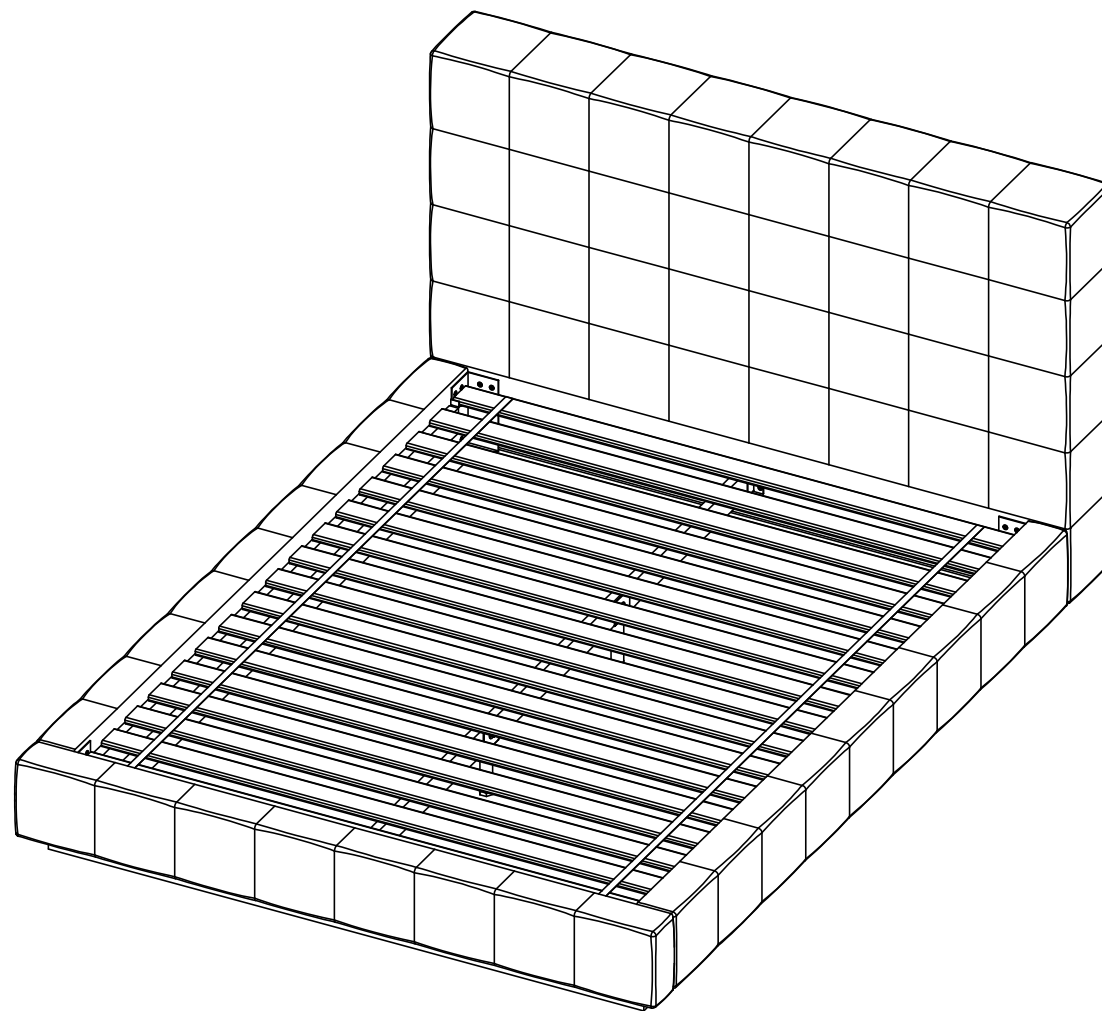


# ASSEMBLY INSTRUCTION THOMPSON MD321-CK

## STEP 5



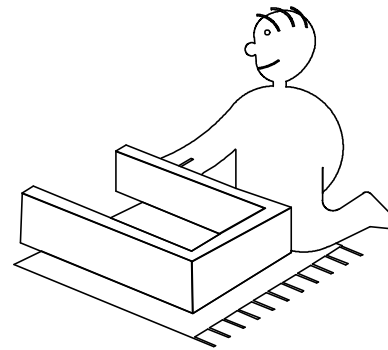
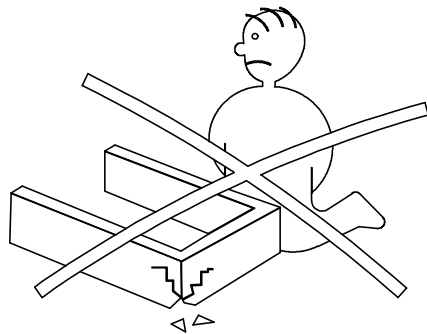
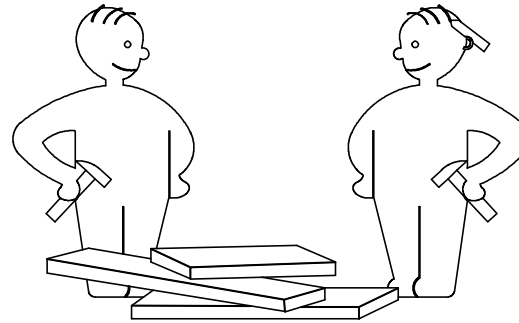
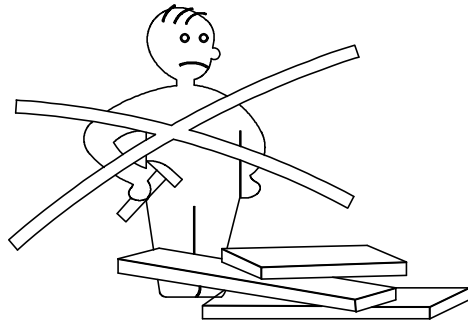
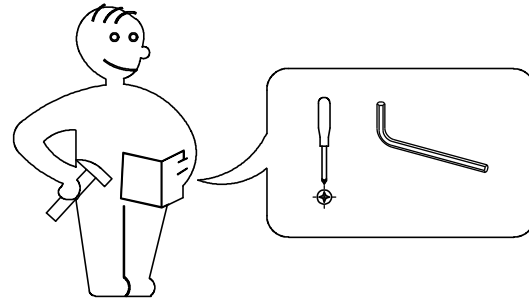
# THOMPSON



MODLOFT



# ASSEMBLY INSTRUCTION THOMPSON MD321-K



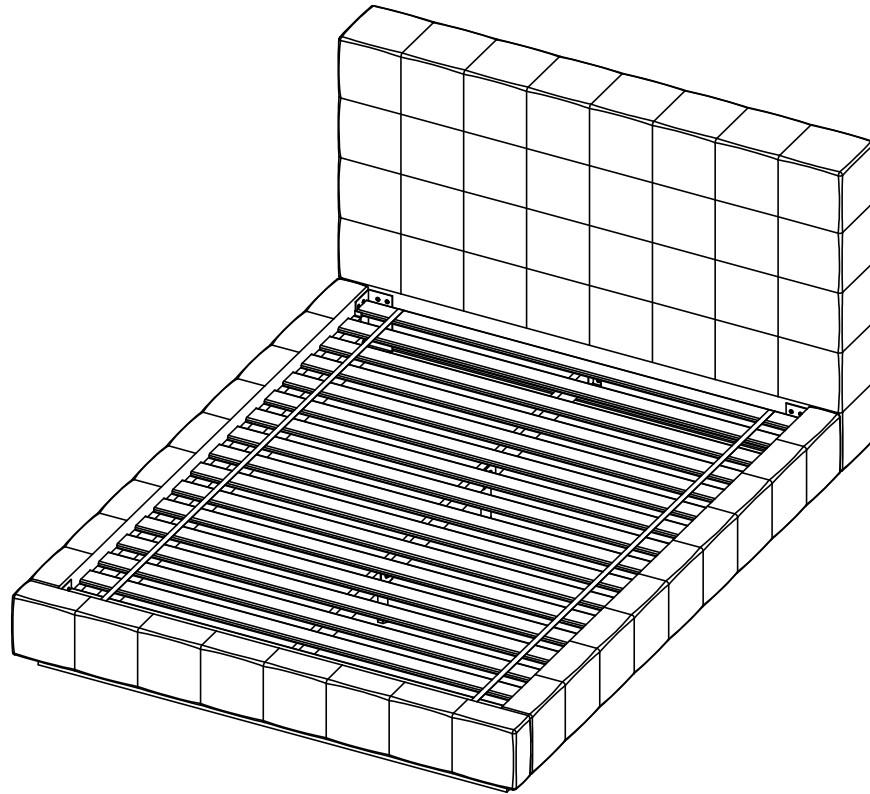




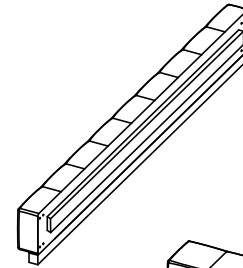
# ASSEMBLY INSTRUCTION

## THOMPSON MD321-K

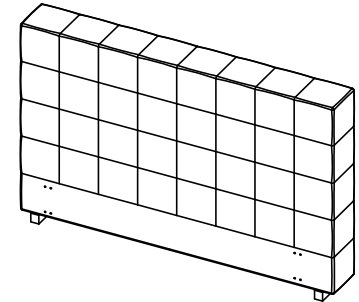
### PARTS



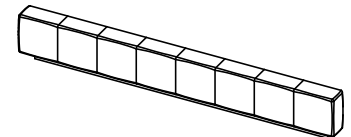
**① x 2** (Left - Right)



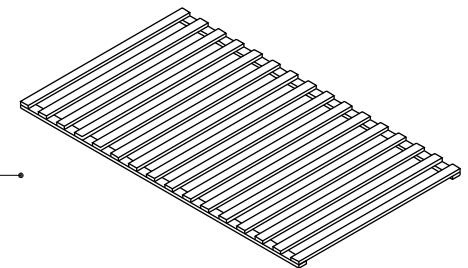
**② x 1**



**③ x 1**



**④ x 1**



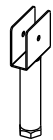
#### HARDWARE



**Ⓐ x 4**



**Ⓑ x 4**



**Ⓒ x 4**



1/4 x 1"

**Ⓓ x 48**



1/4 x 1 1/2"

**Ⓔ x 4**



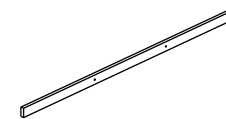
1/4"

**Ⓕ x 4**



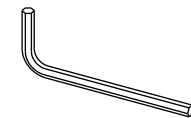
1/4"

**Ⓖ x 4**



**Ⓗ x 2**

#### TOOL



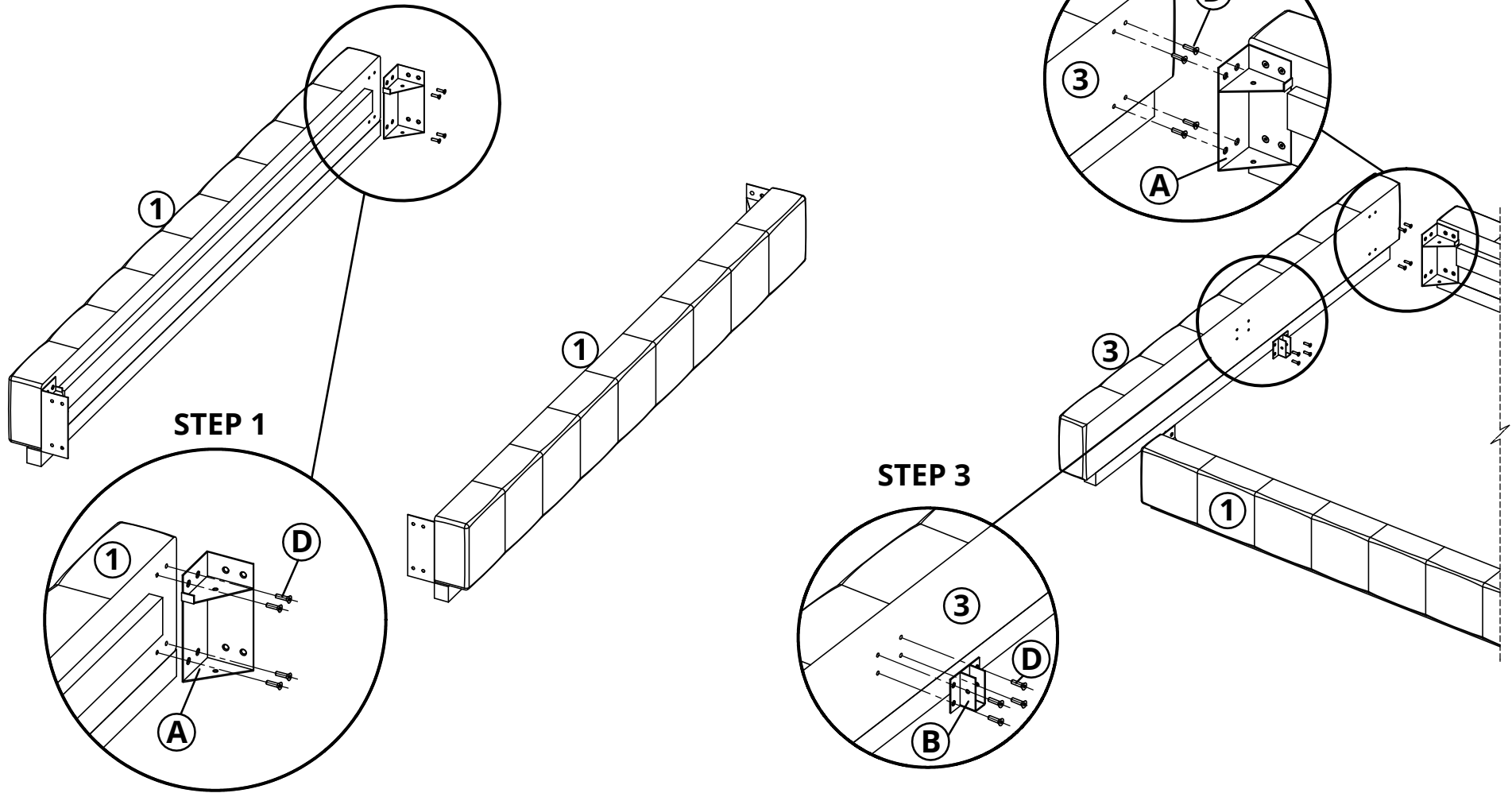
**Ⓘ x 1**



**Ⓙ x 1**

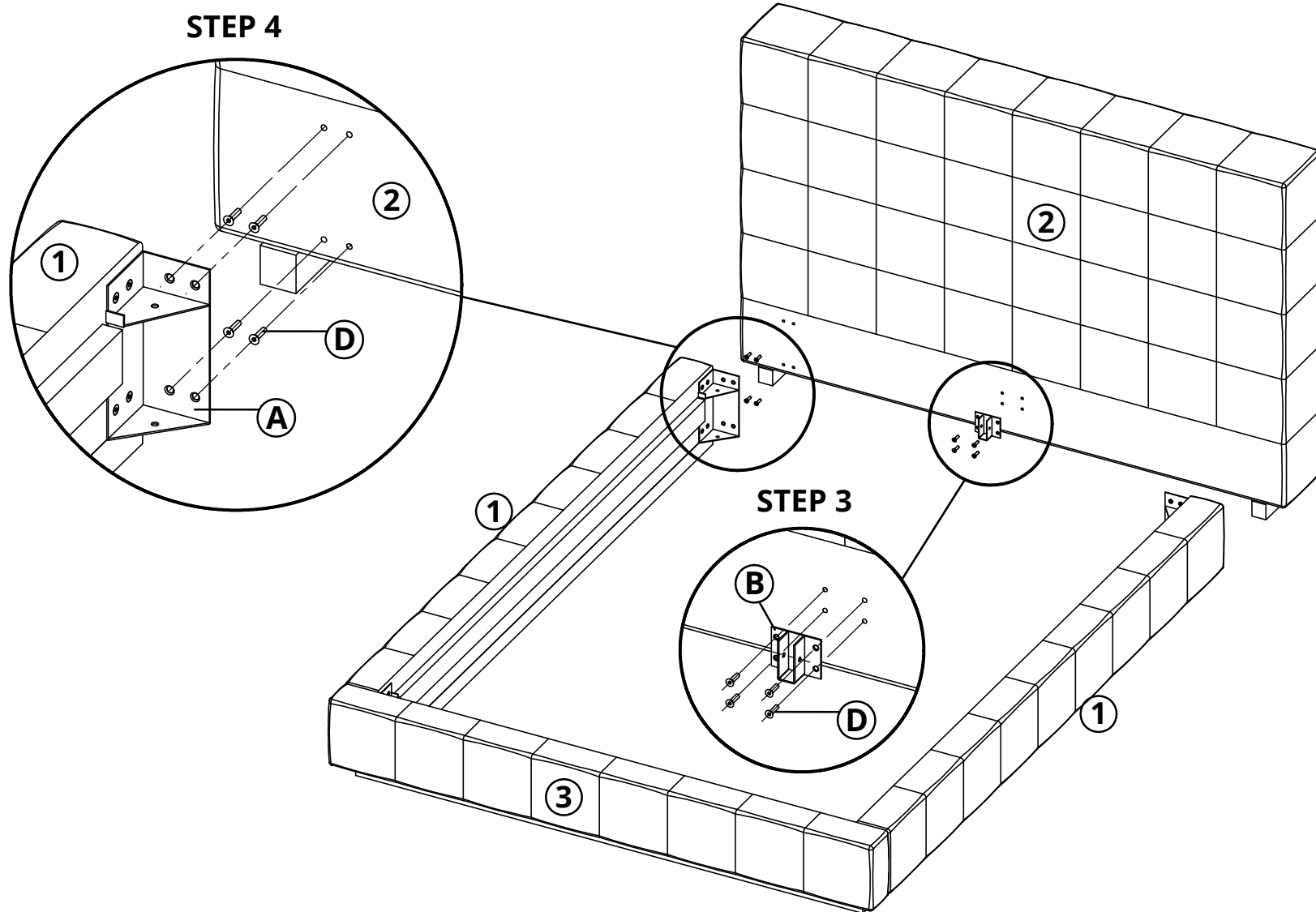


# ASSEMBLY INSTRUCTION THOMPSON MD321-K





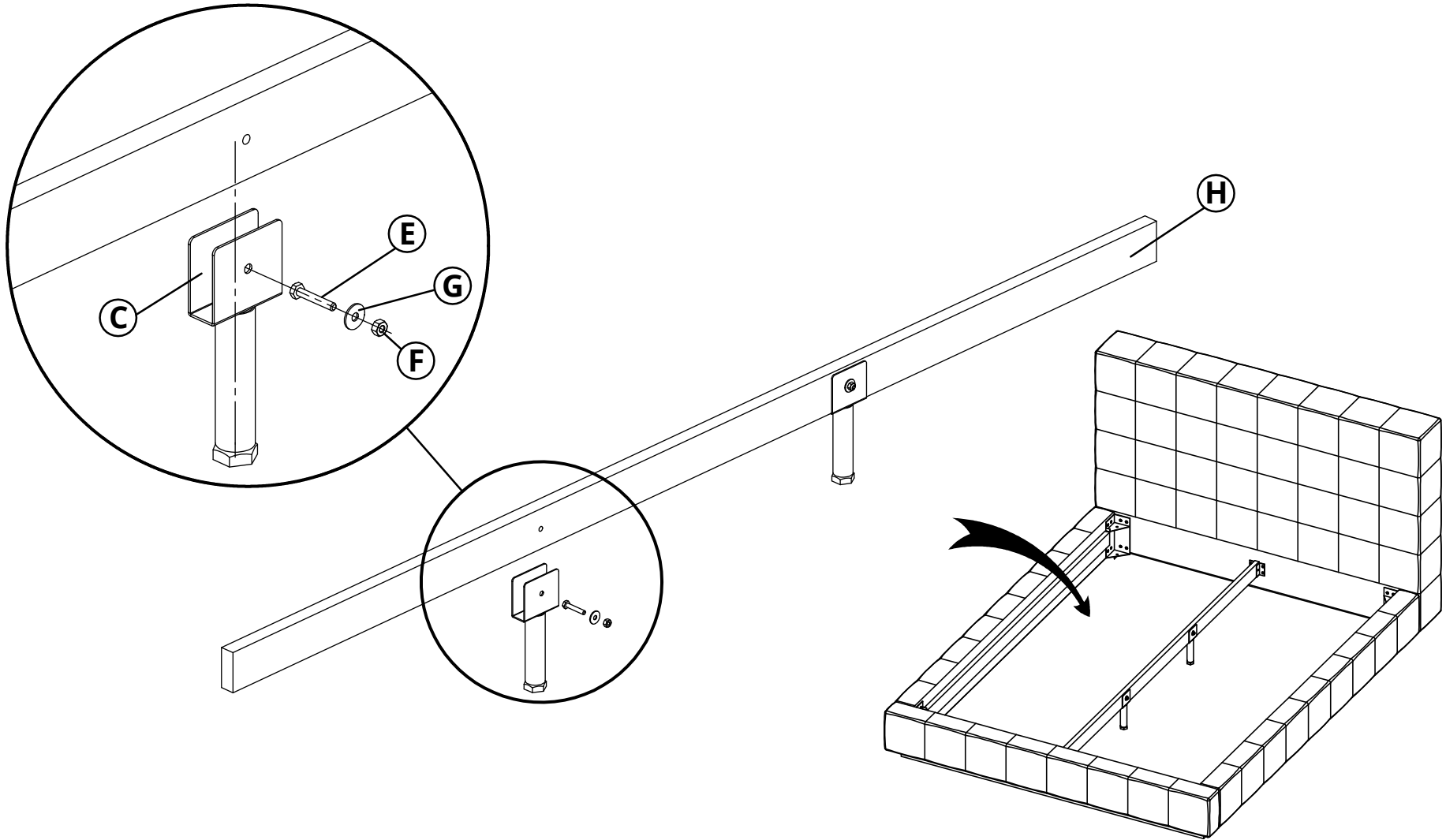
# ASSEMBLY INSTRUCTION THOMPSON MD321-K



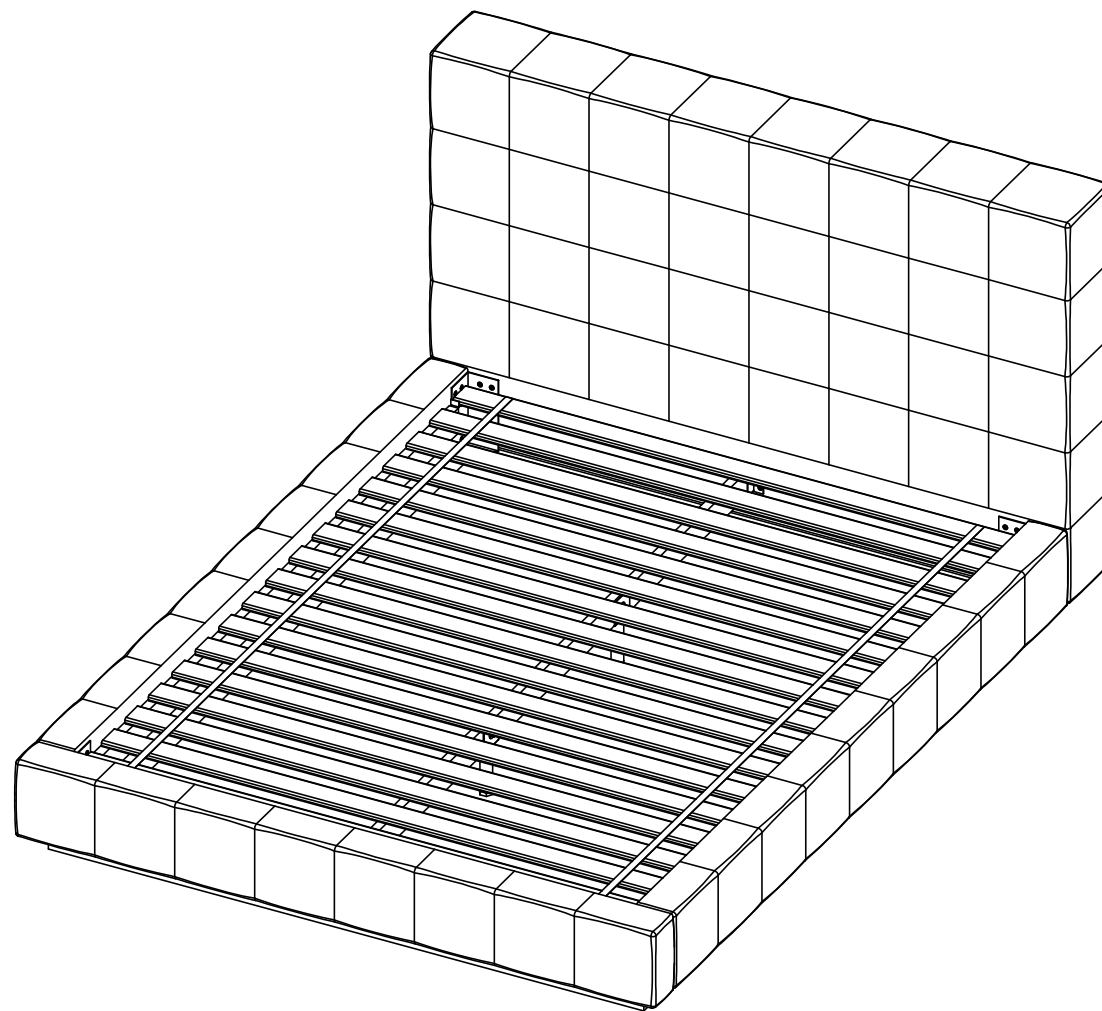


# ASSEMBLY INSTRUCTION THOMPSON MD321-K

## STEP 5



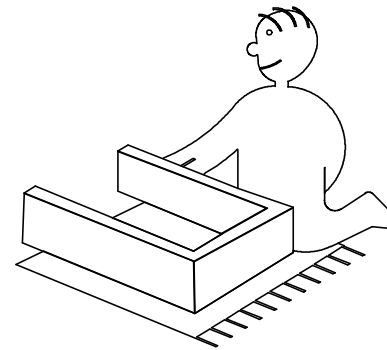
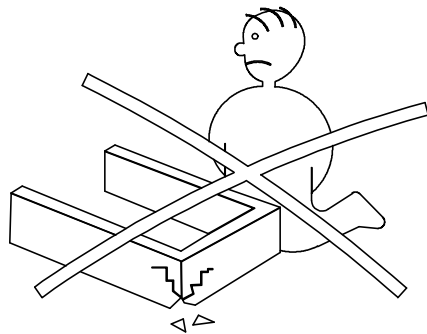
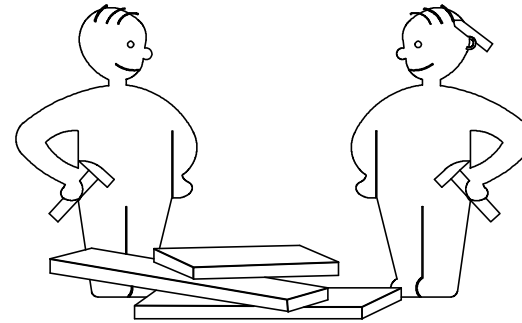
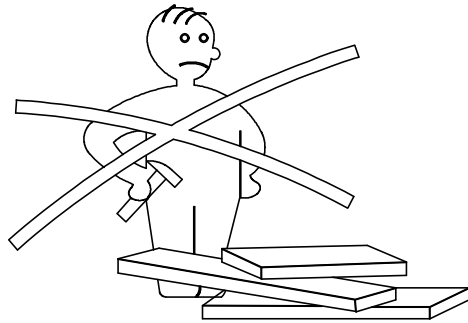
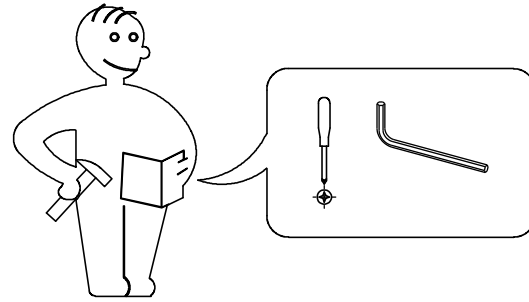
# THOMPSON



MODLOFT



# ASSEMBLY INSTRUCTION THOMPSON MD321-F

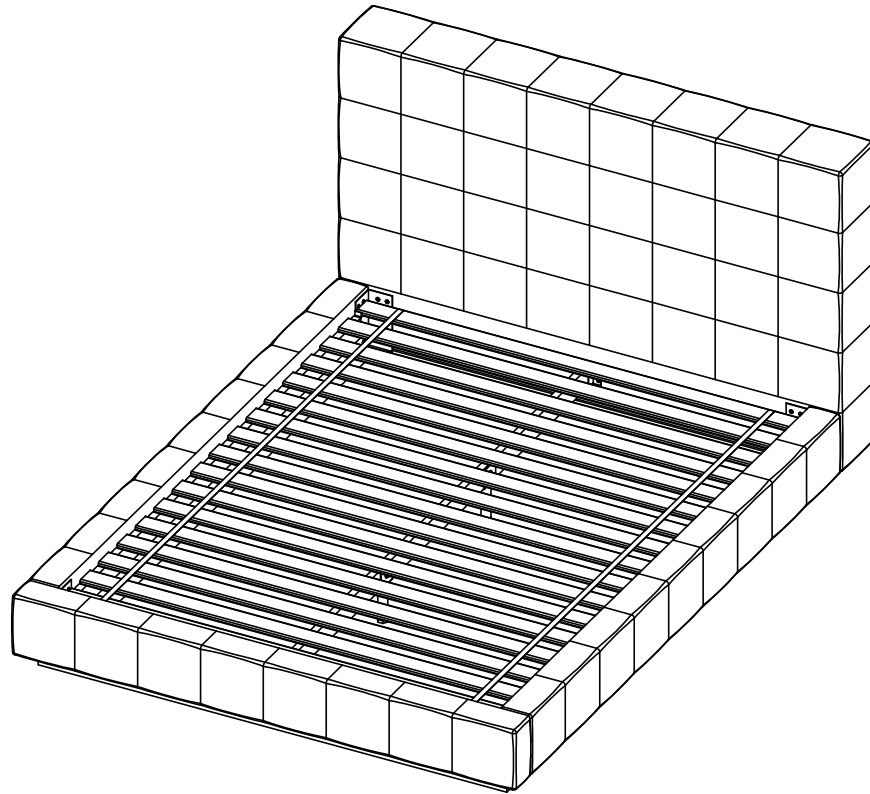




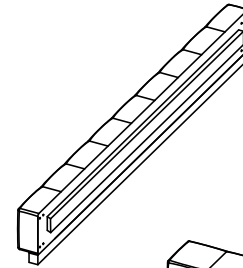
# ASSEMBLY INSTRUCTION

## THOMPSON MD321-F

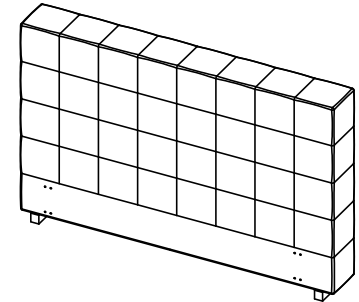
### PARTS



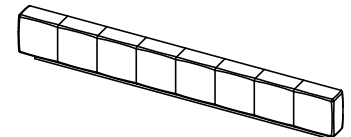
① x 2 (Left - Right)



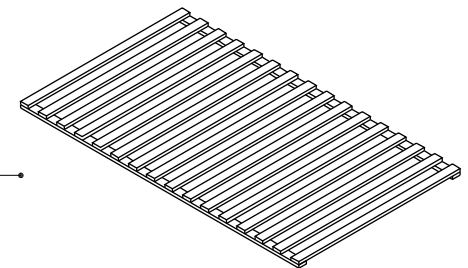
② x 1



③ x 1



④ x 1



#### HARDWARE



Ⓐ x 4



Ⓑ x 2



Ⓒ x 2



1/4 x 1"

Ⓓ x 40



1/4 x 1 1/2"

Ⓔ x 2



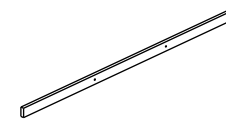
1/4"

Ⓕ x 2



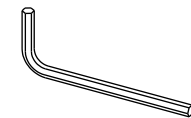
1/4"

Ⓖ x 2



Ⓗ x 1

#### TOOL



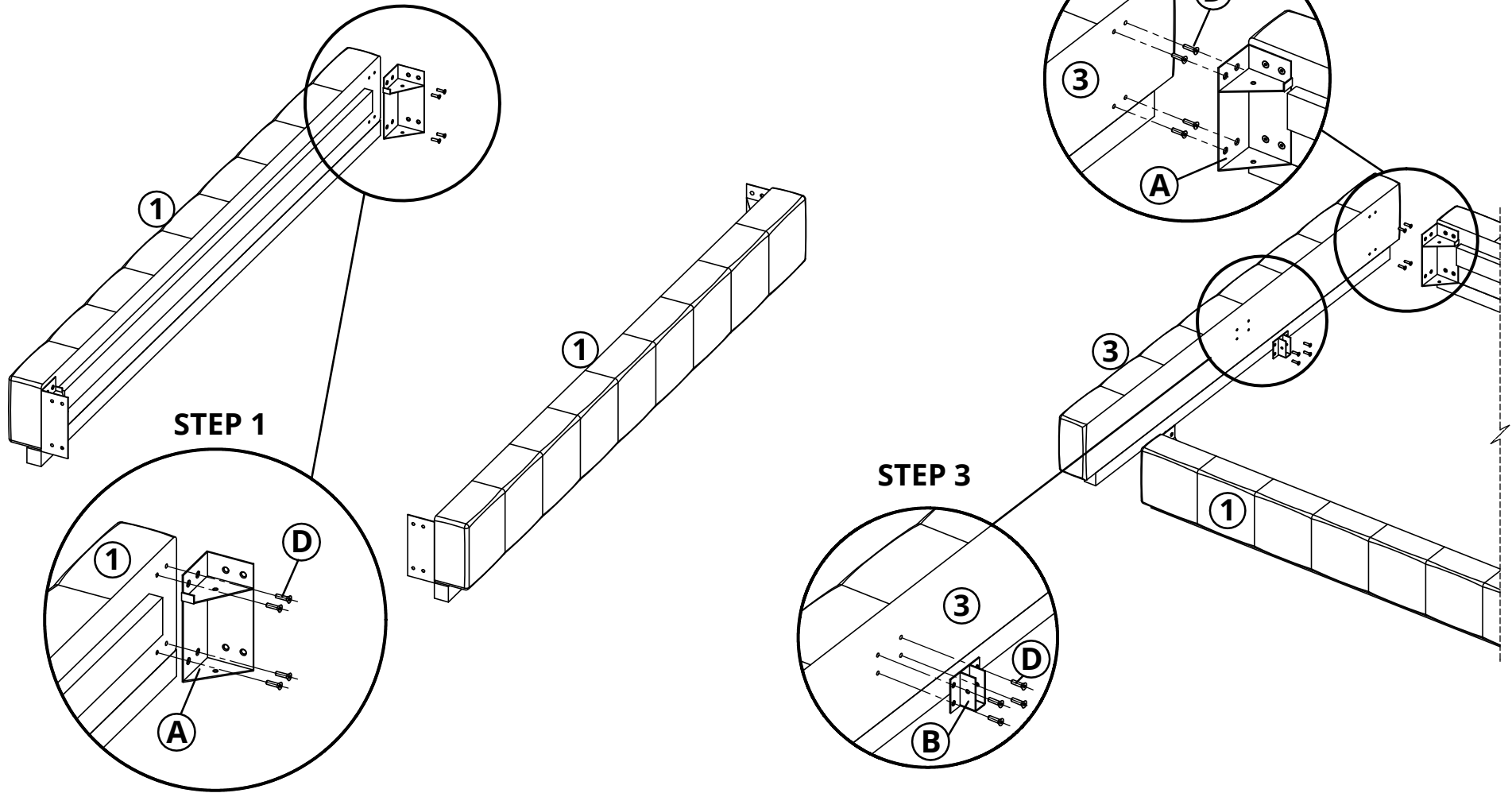
Ⓘ x 1



Ⓙ x 1



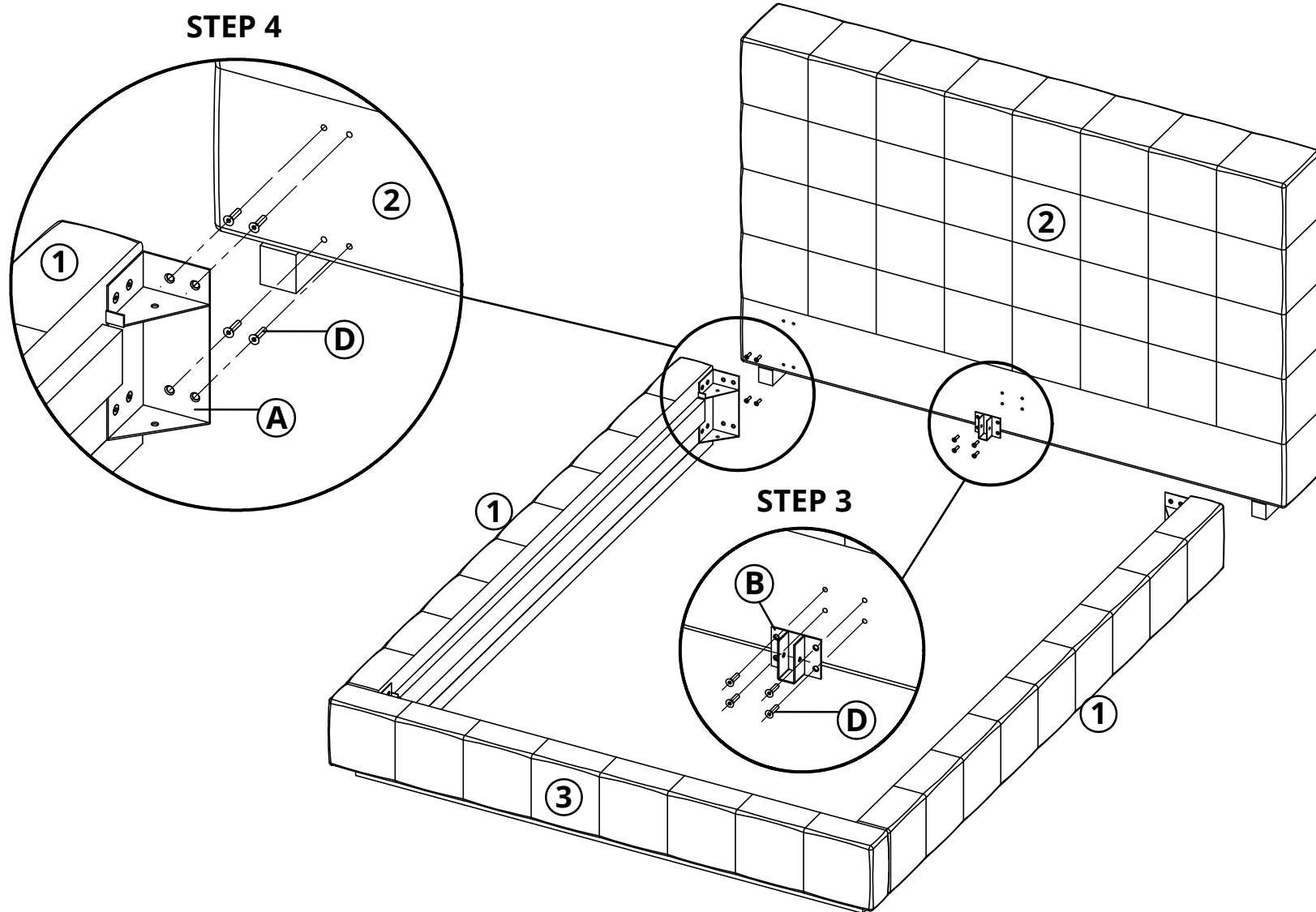
# ASSEMBLY INSTRUCTION THOMPSON MD321-F







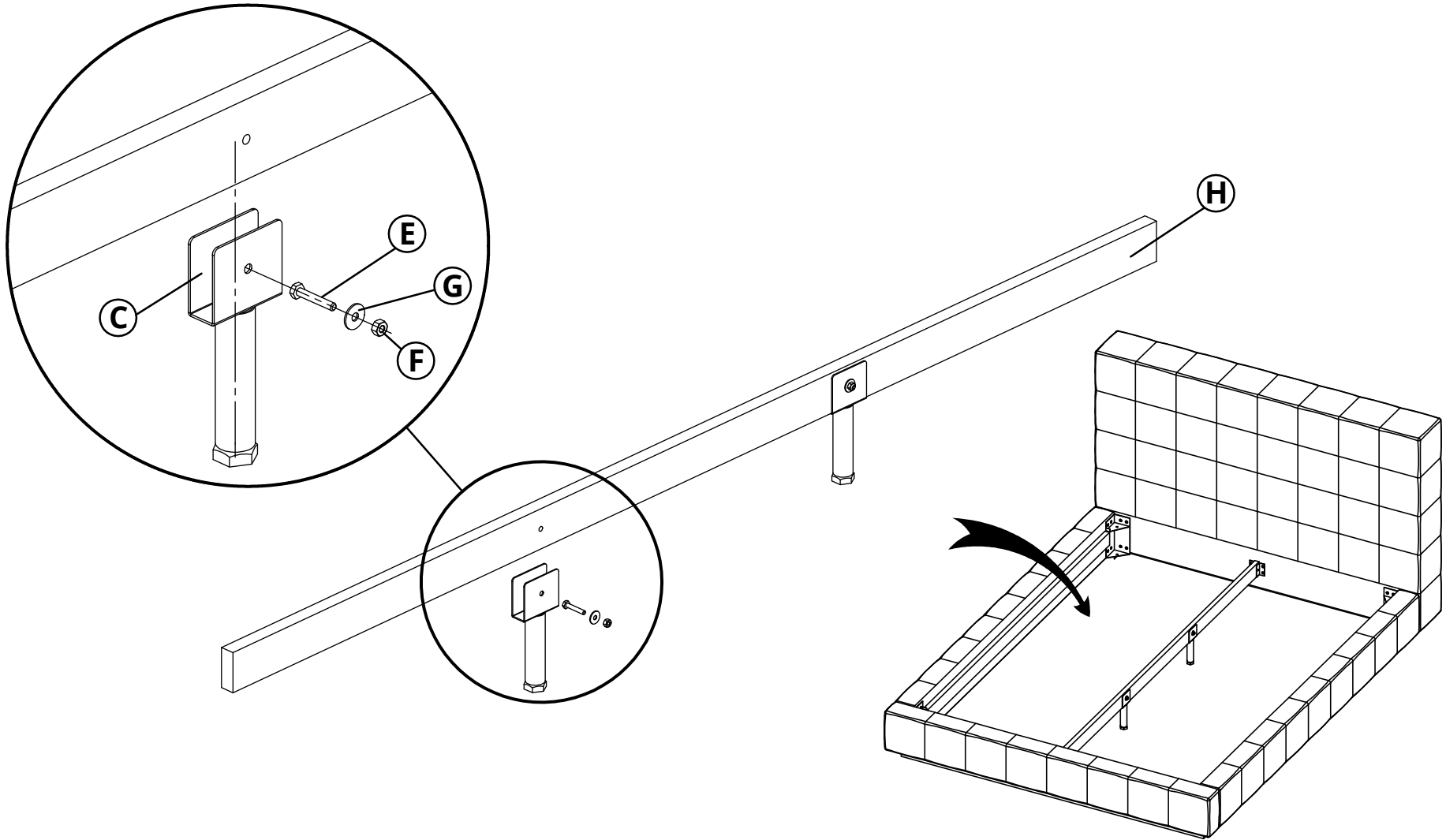
# ASSEMBLY INSTRUCTION THOMPSON MD321-F



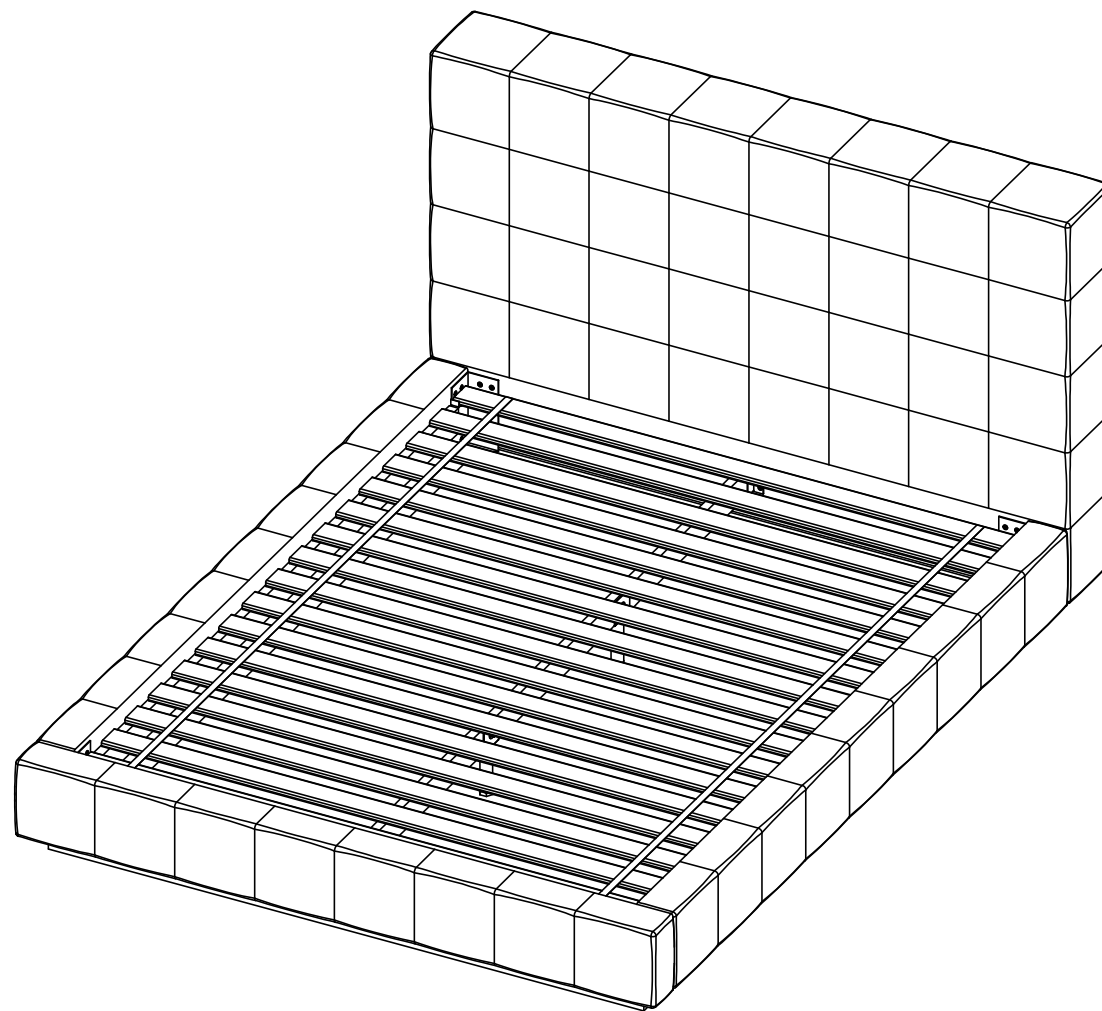


# ASSEMBLY INSTRUCTION THOMPSON MD321-F

## STEP 5



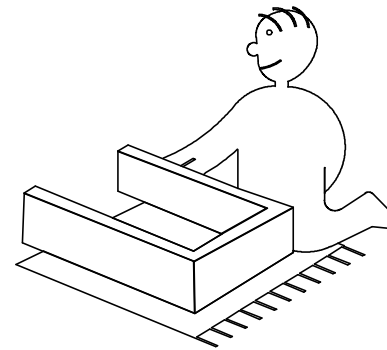
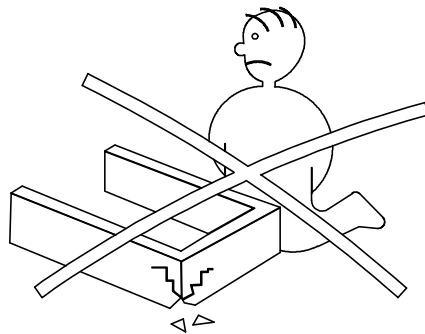
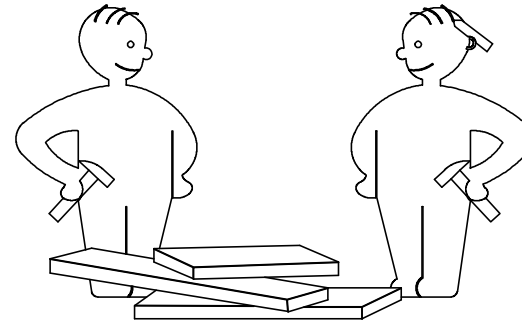
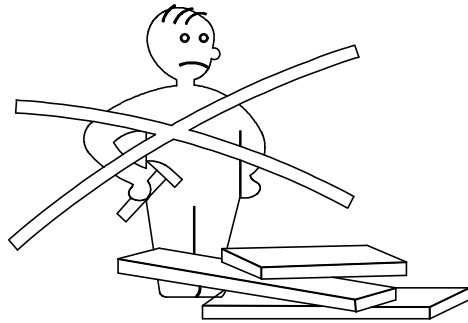
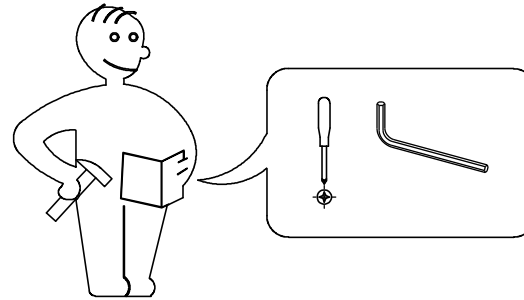
# THOMPSON



MODLOFT



# ASSEMBLY INSTRUCTION THOMPSON MD321-Q

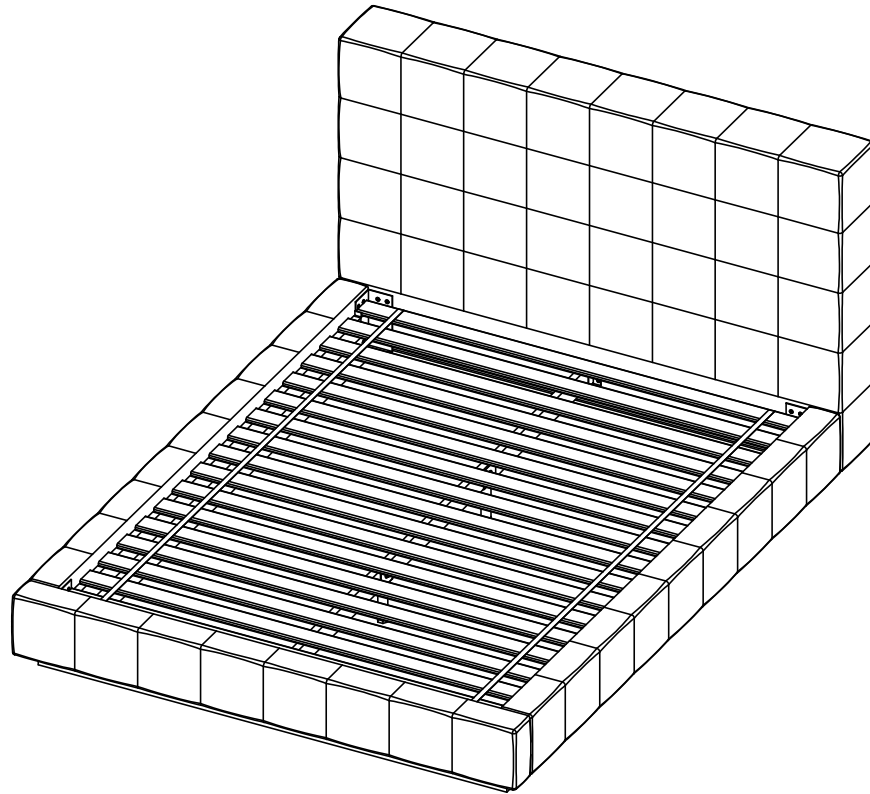




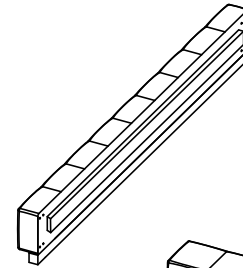
# ASSEMBLY INSTRUCTION

## THOMPSON MD321-Q

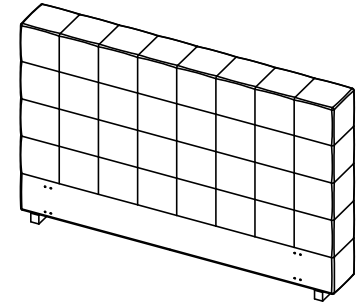
### PARTS



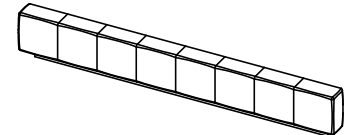
① x 2 (Left - Right)



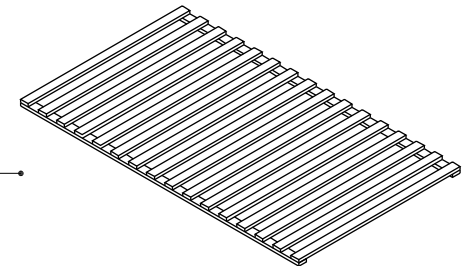
② x 1



③ x 1



④ x 1



#### HARDWARE



Ⓐ x 4



Ⓑ x 2



Ⓒ x 2



1/4 x 1"

Ⓓ x 40



1/4 x 1 1/2"

Ⓔ x 2



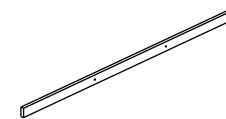
1/4"

Ⓕ x 2



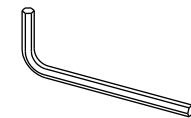
1/4"

Ⓖ x 2



Ⓗ x 1

#### TOOL



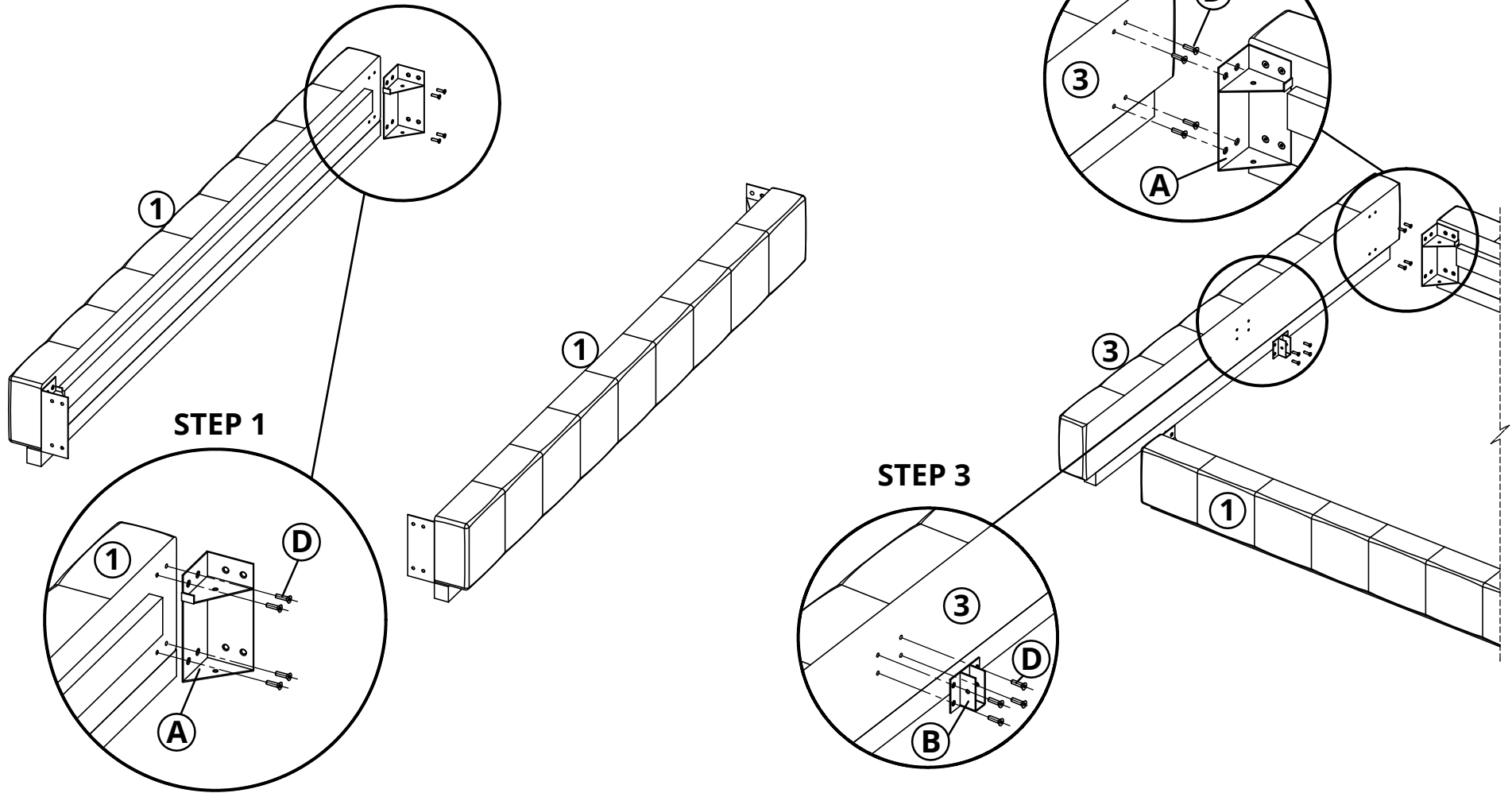
Ⓘ x 1



Ⓙ x 1

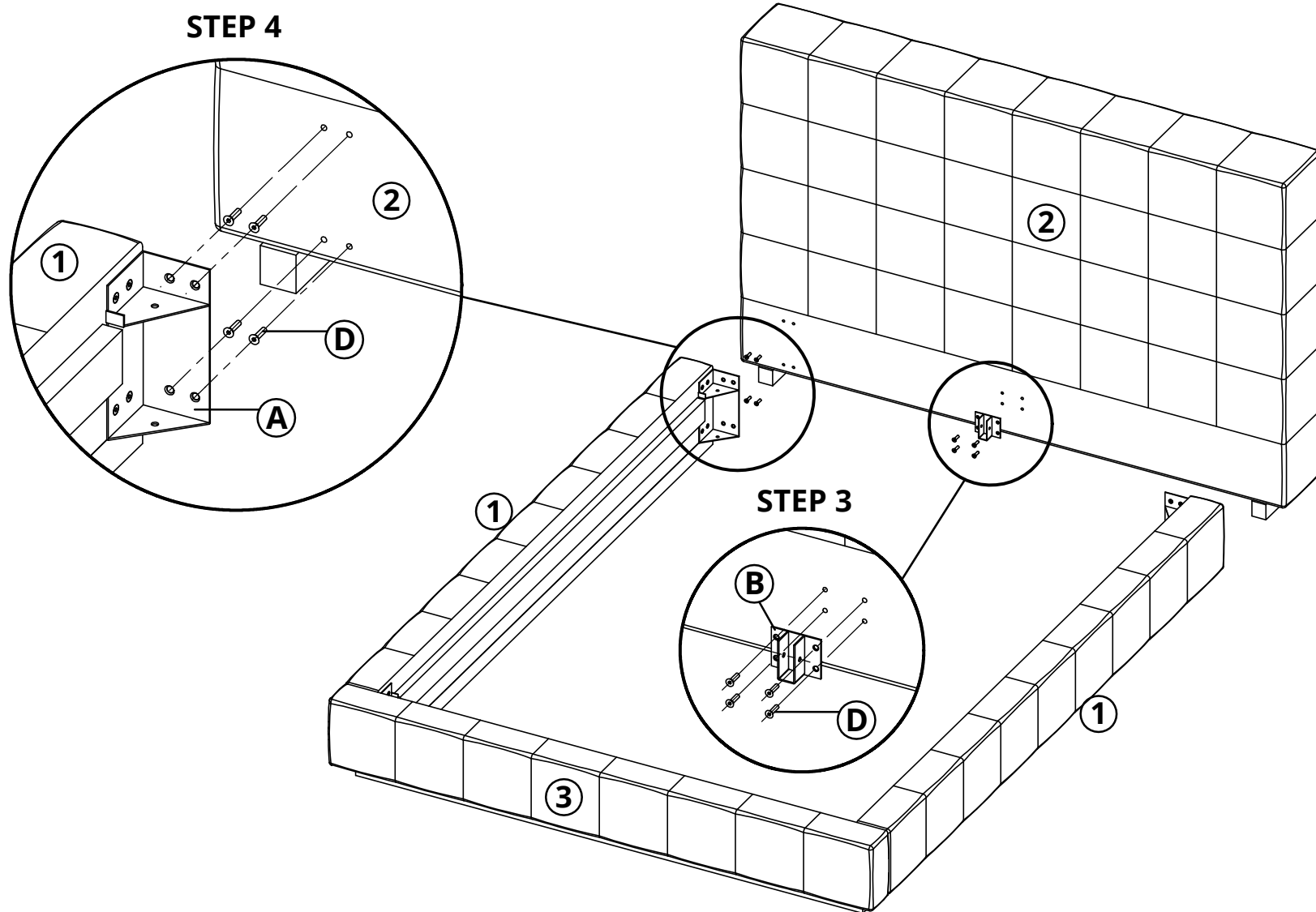


# ASSEMBLY INSTRUCTION THOMPSON MD321-Q





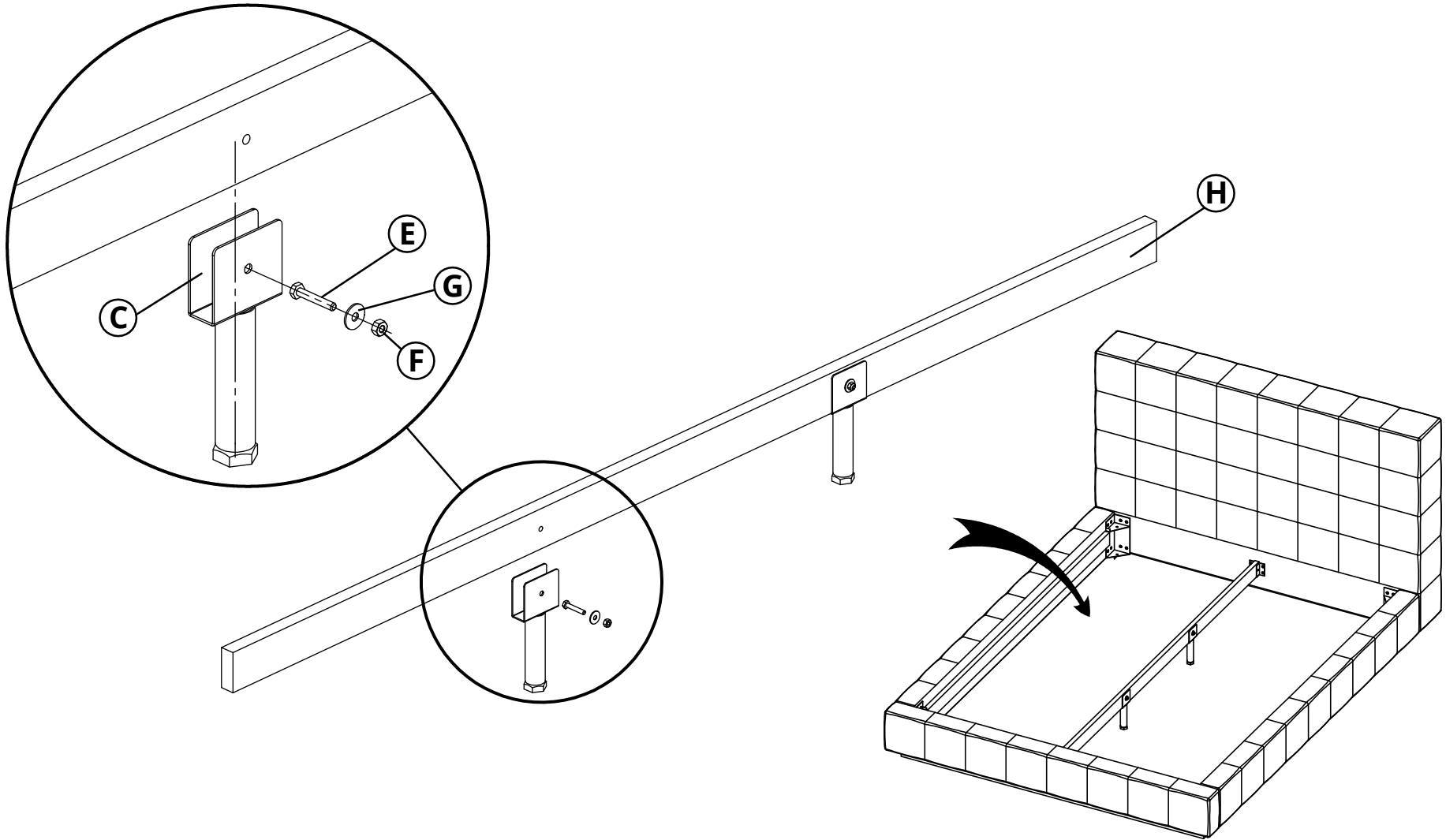
# ASSEMBLY INSTRUCTION THOMPSON MD321-Q





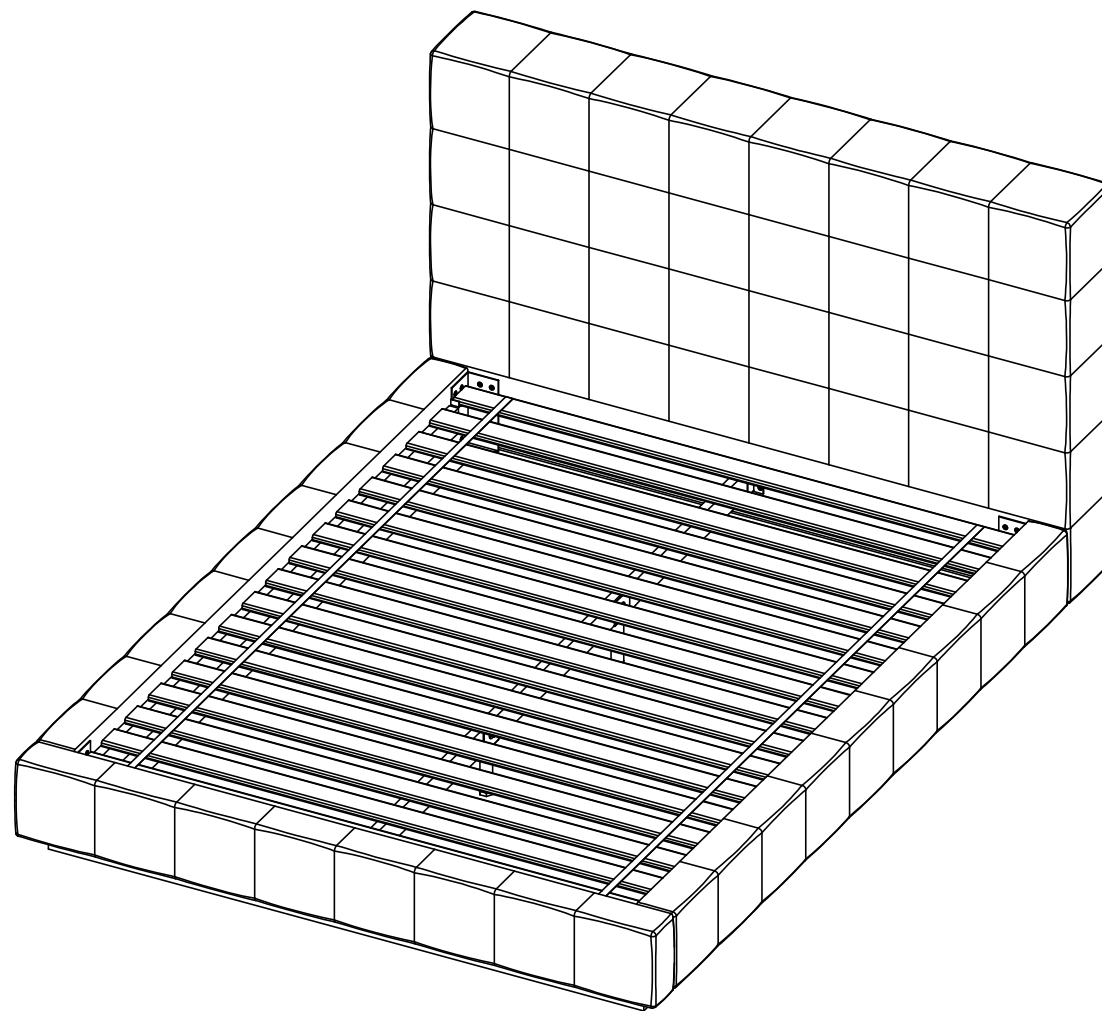
# ASSEMBLY INSTRUCTION THOMPSON MD321-Q

## STEP 5





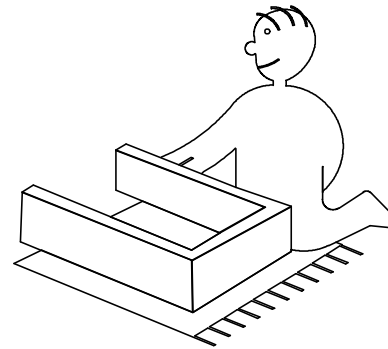
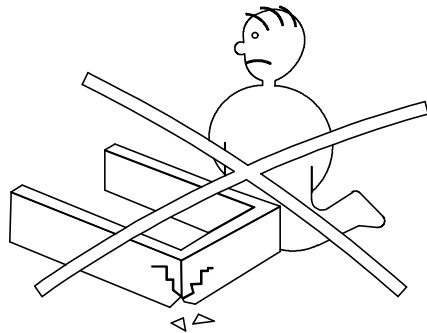
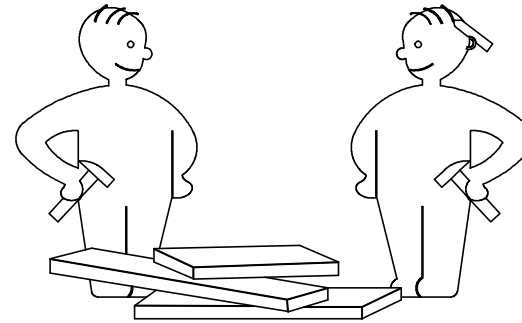
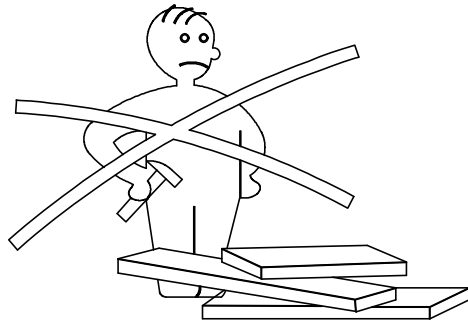
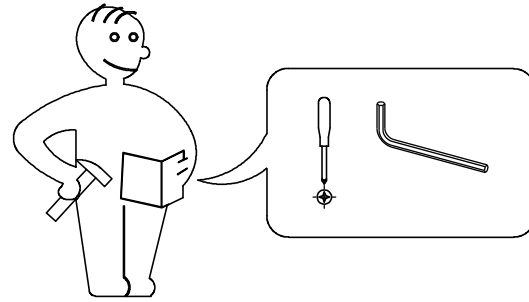
# THOMPSON



MODLOFT



# ASSEMBLY INSTRUCTION THOMPSON MD321-T

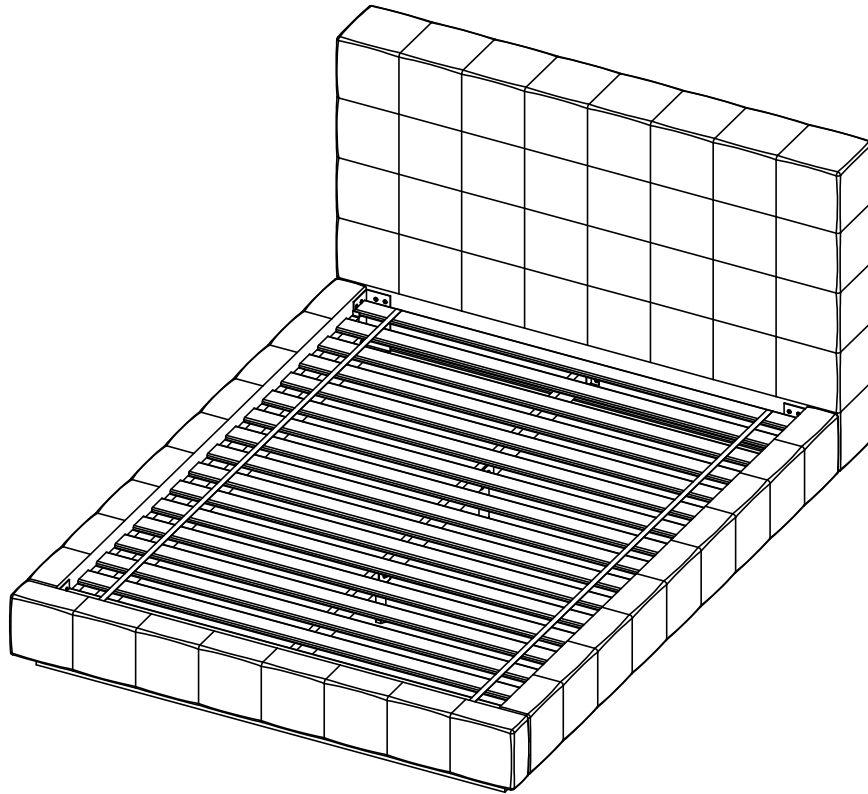




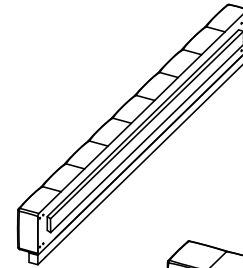
# ASSEMBLY INSTRUCTION

## THOMPSON MD321-T

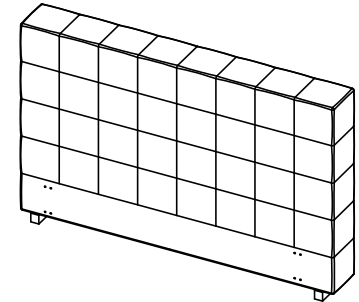
### PARTS



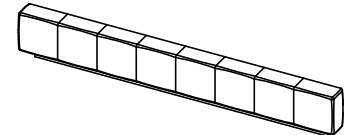
① x 2 (Left - Right)



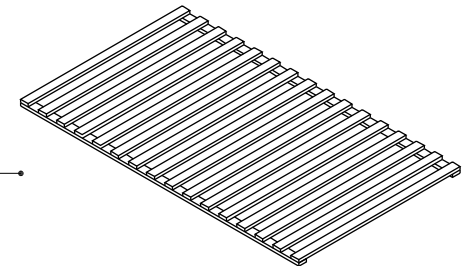
② x 1



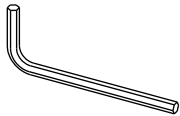



③ x 1



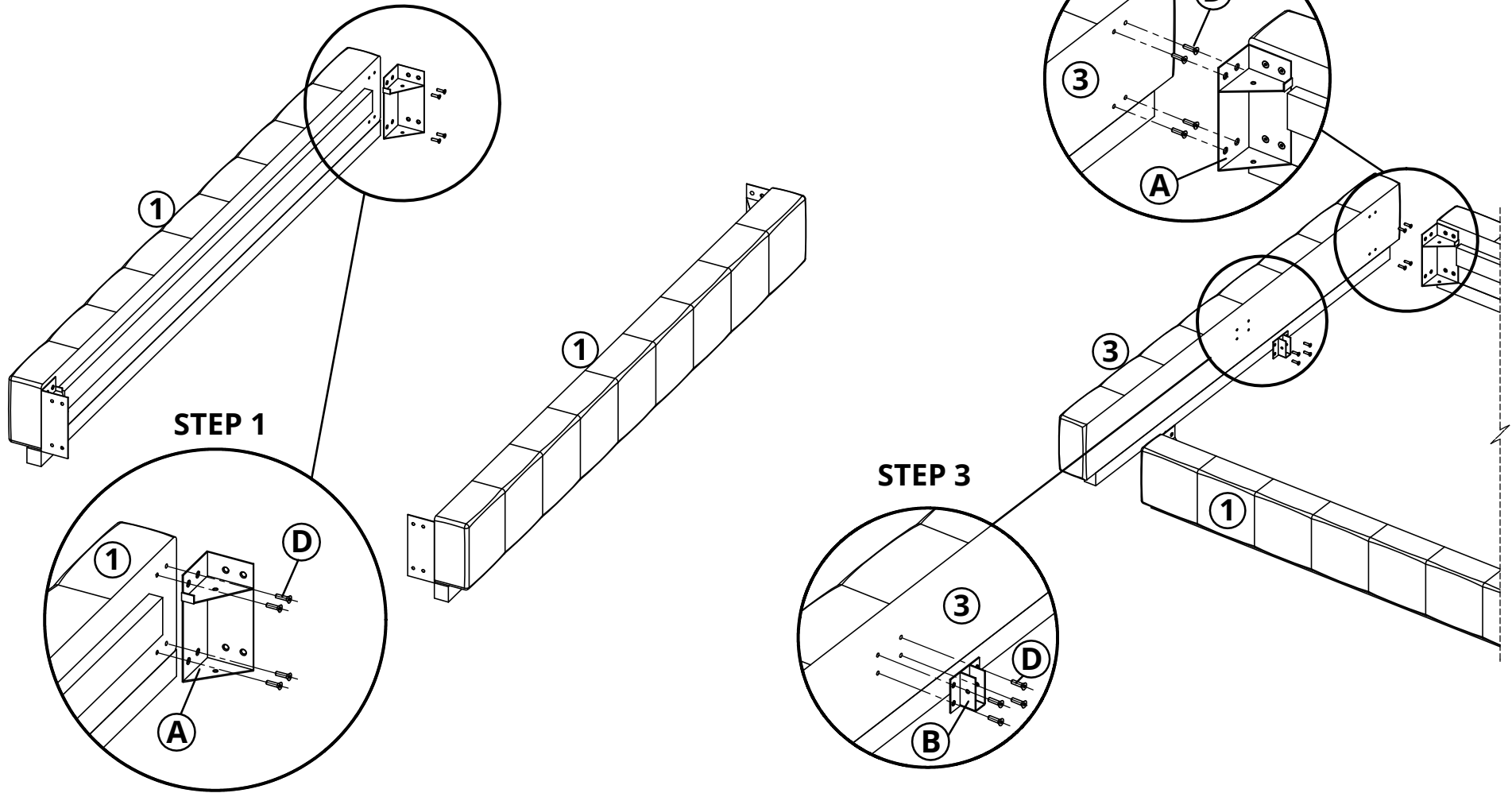
④ x 1



HARDWARE		TOOL	
			
<b>Ⓐ x 4</b>	1/4 x 1" <b>Ⓓ x 32</b>	<b>Ⓘ x 1</b>	<b>Ⓙ x 1</b>



# ASSEMBLY INSTRUCTION THOMPSON MD321-T





# ASSEMBLY INSTRUCTION THOMPSON MD321-T

