

HARU



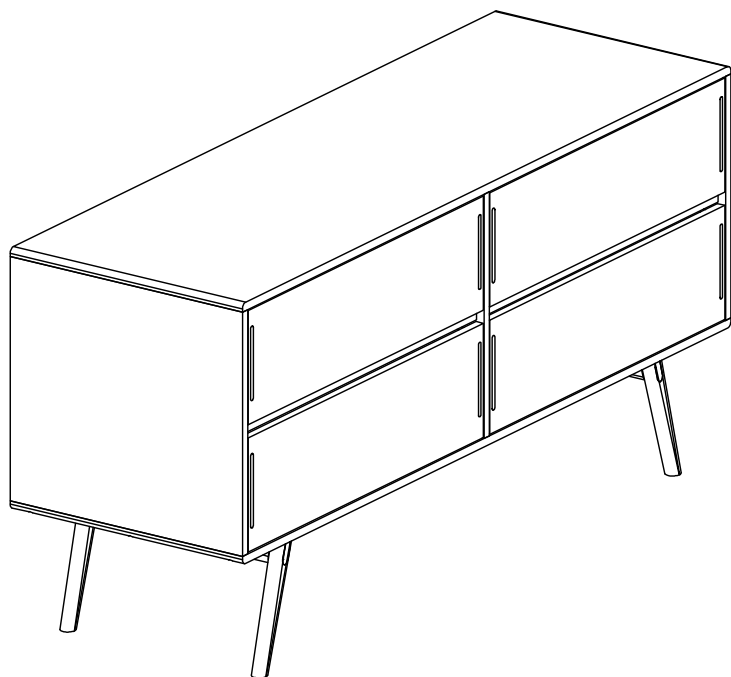
MODLOFT



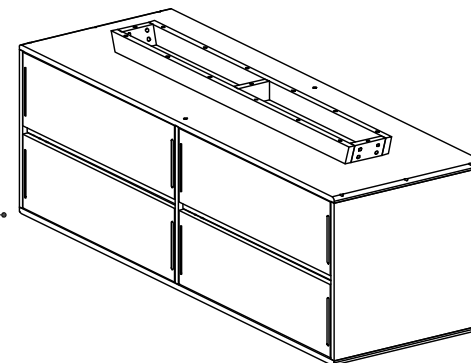
ASSEMBLY INSTRUCTION

HARU DE-SKA-014635

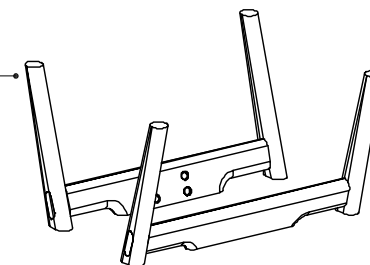
PARTS

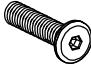





① x 1



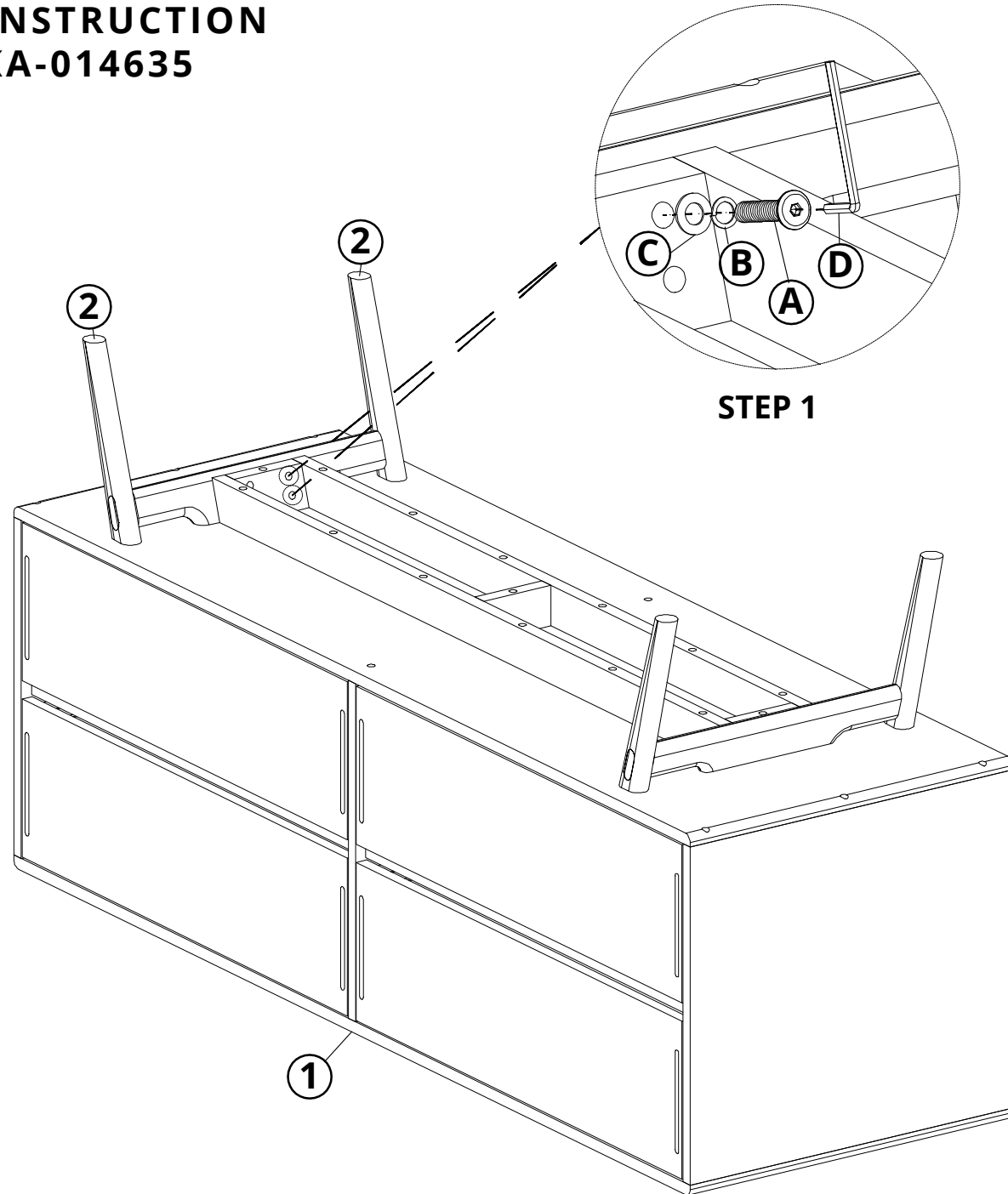
② x 2 (Left - Right)



HARDWARE			TOOL
			
M8x35mm	φ8xφ12	φ8xφ16	4mm
Ⓐ x 8	Ⓑ x 8	Ⓒ x 8	Ⓓ x 1



ASSEMBLY INSTRUCTION
HARU DE-SKA-014635





ASSEMBLY INSTRUCTION
HARU DE-SKA-014635

