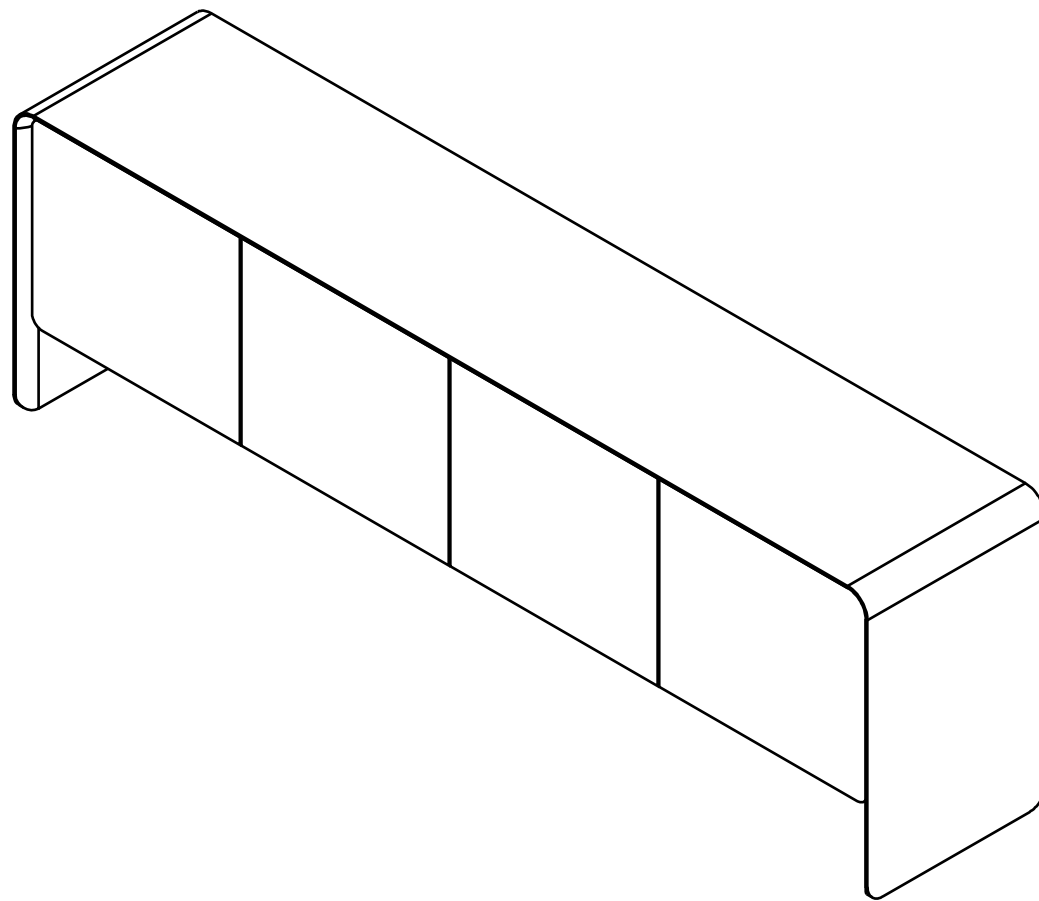


# KENLEY



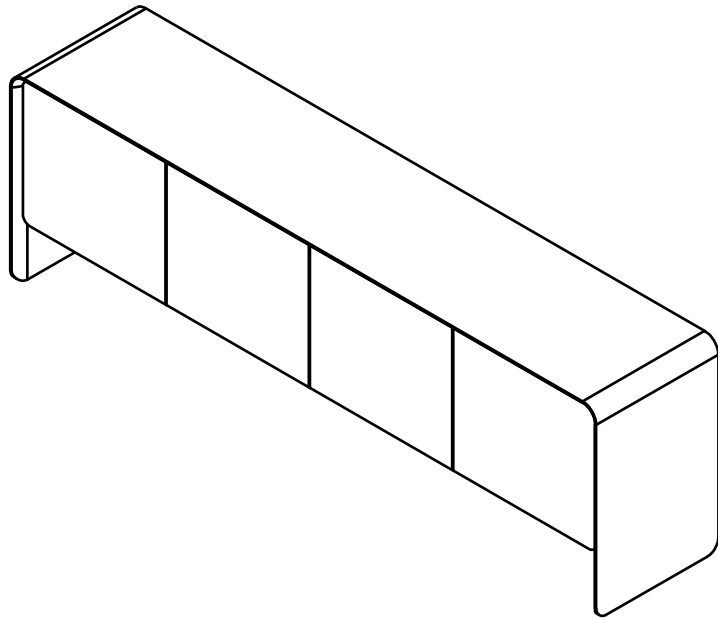
MODLOFT



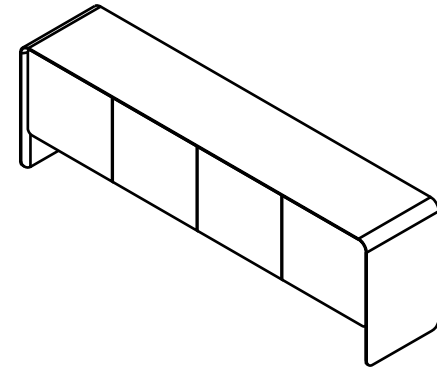
# ASSEMBLY INSTRUCTION

## KENLEY BUF10015

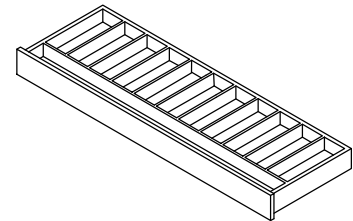
### PARTS



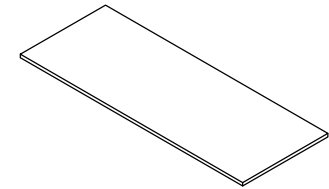
① x 1



② x 1



③ x 1

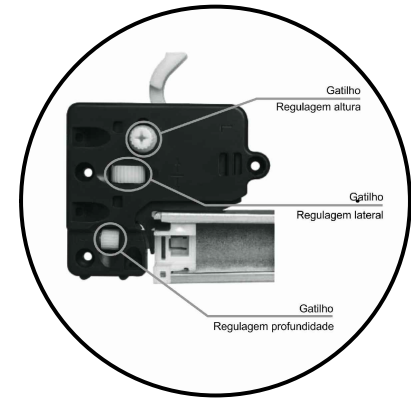
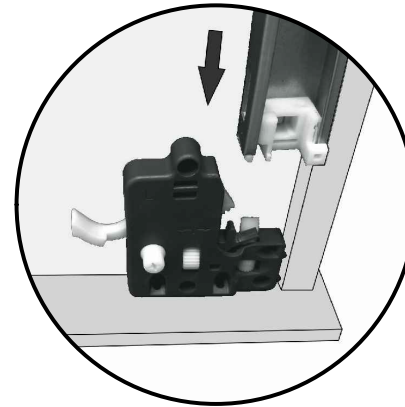
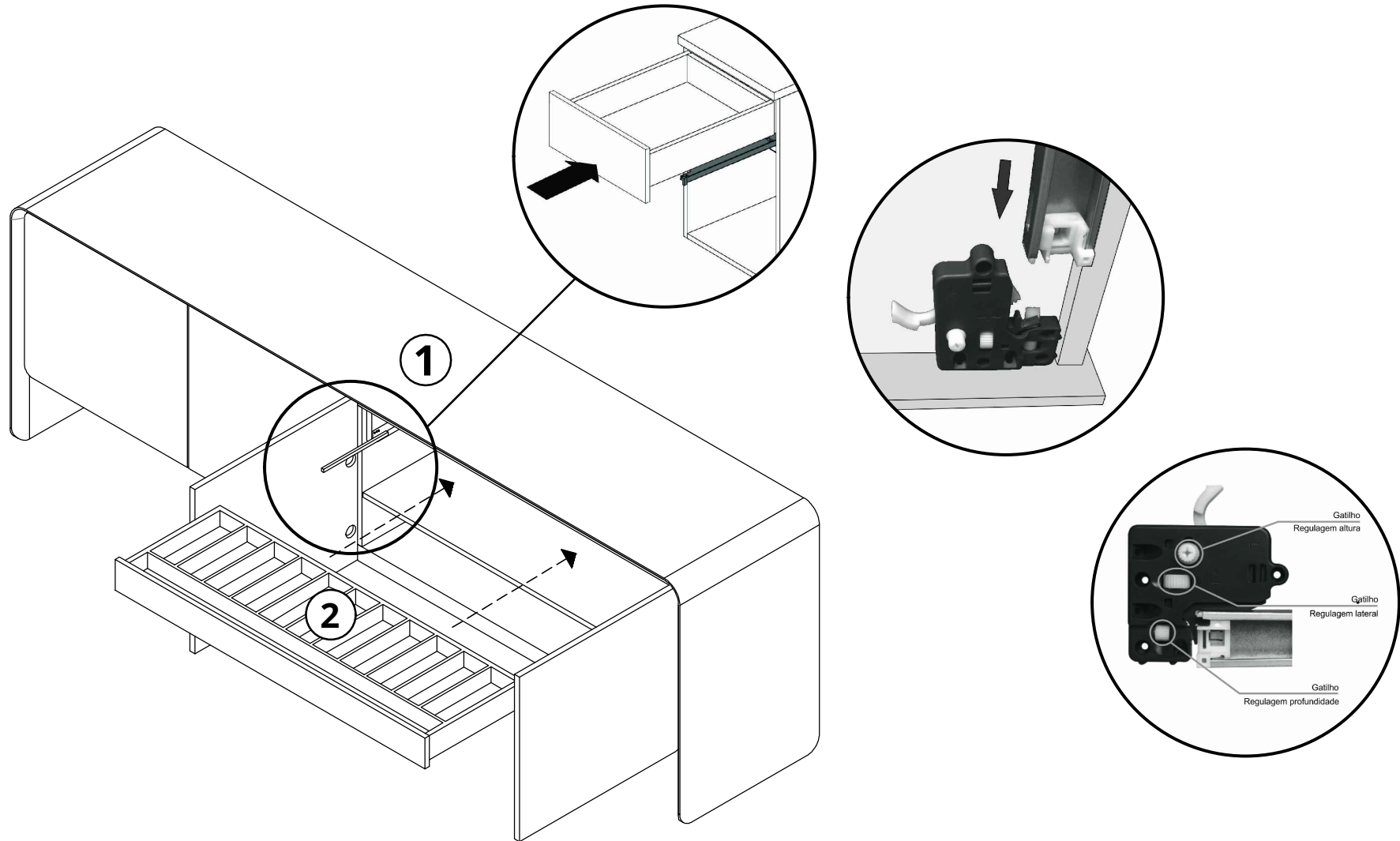




# ASSEMBLY INSTRUCTION

## KENLEY BUF10015

### STEP 1





**ASSEMBLY INSTRUCTION**  
**KENLEY BUF10015**

