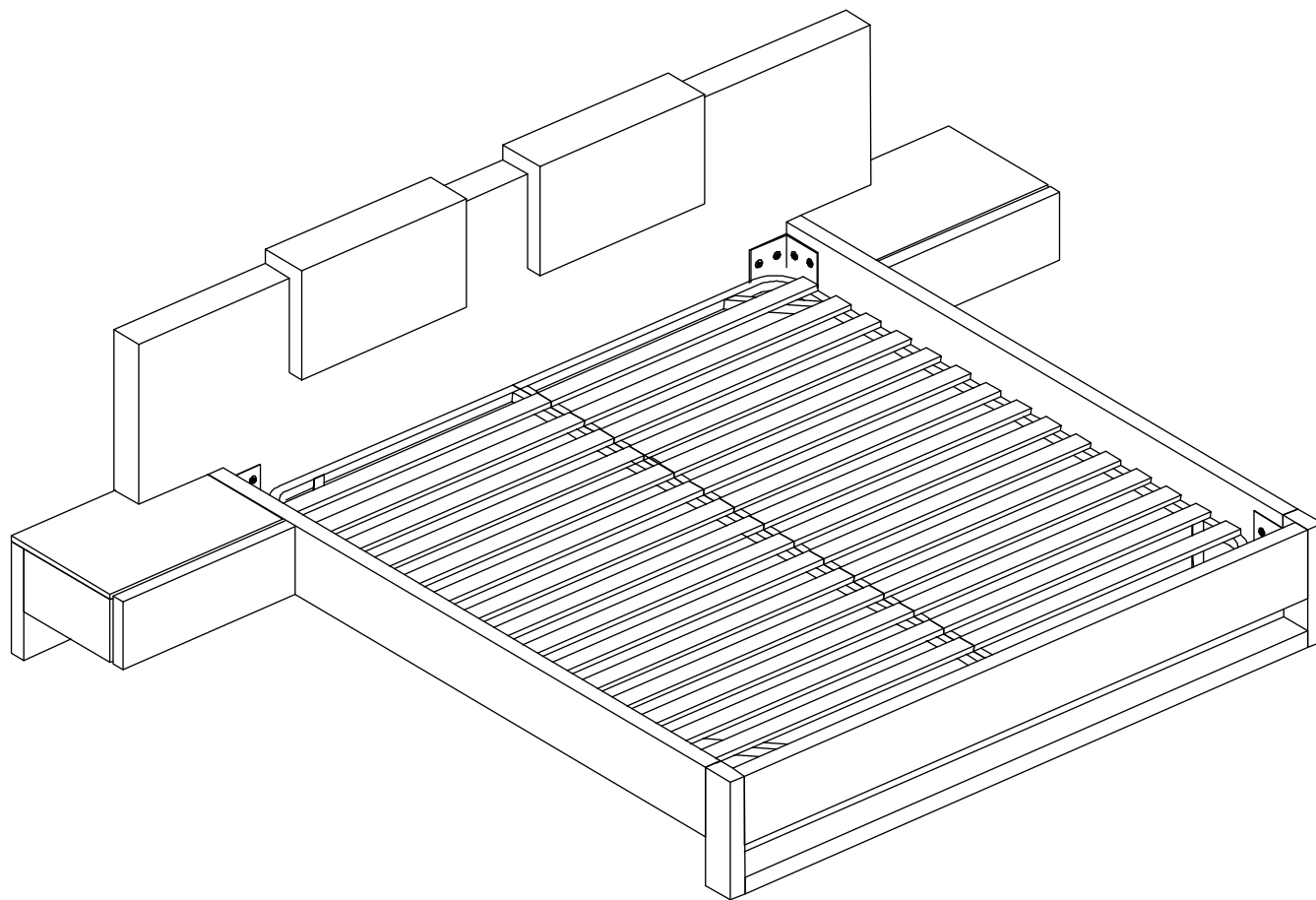


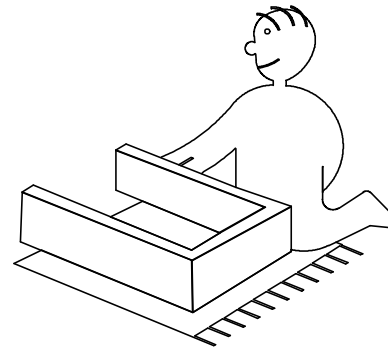
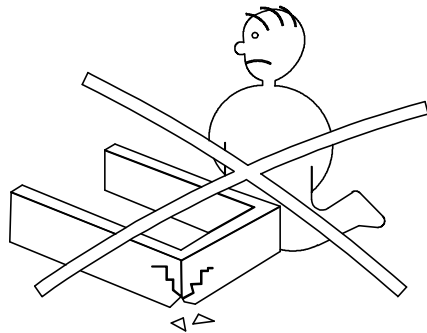
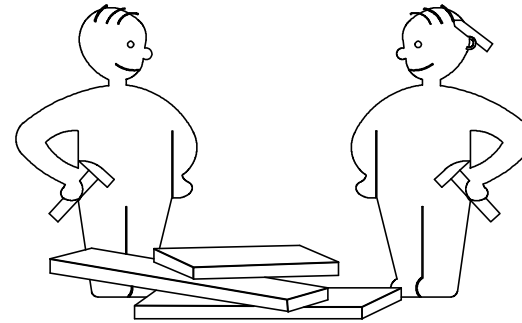
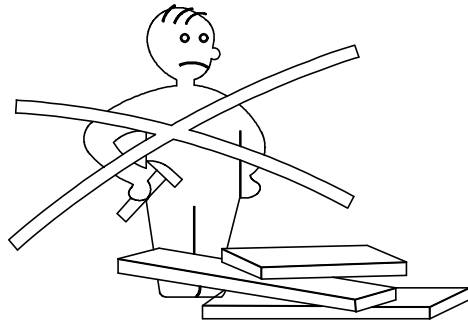
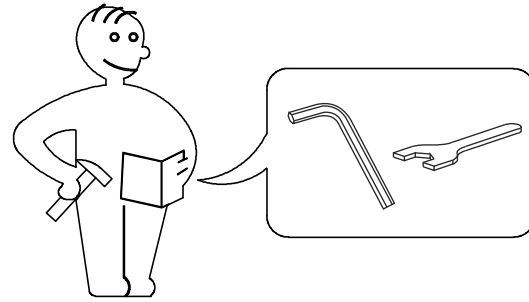
# MONROE



MODLOFT



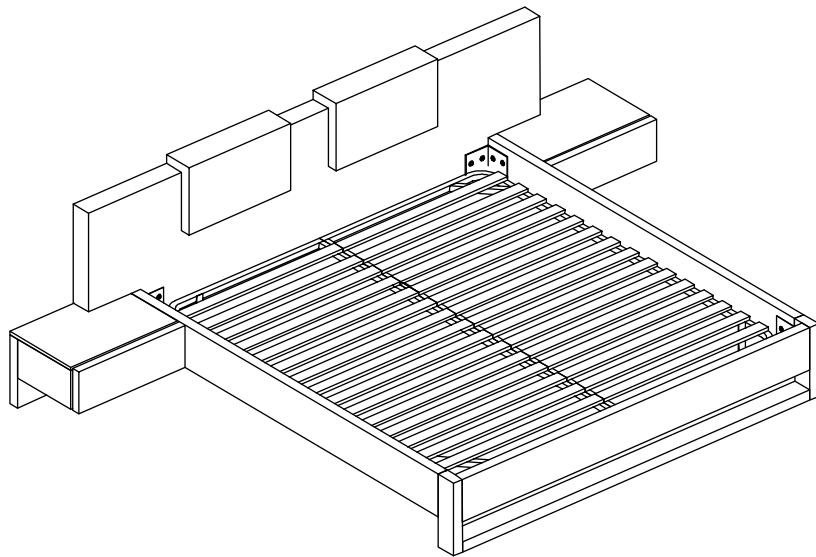
# ASSEMBLY INSTRUCTION MONROE MD316-CK



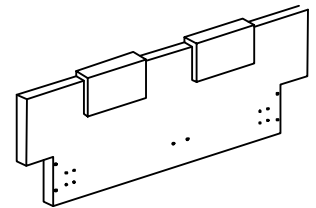


# ASSEMBLY INSTRUCTION MONROE MD316-CK

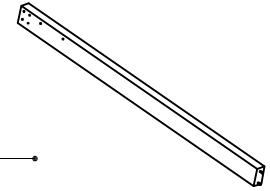
## PARTS



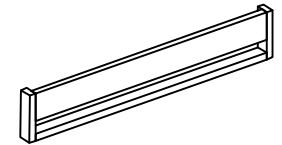
① x 1



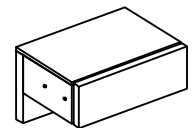
② x 2 (Left - Right)



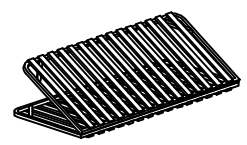
③ x 1



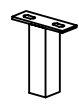
④ x 2 (Left - Right)



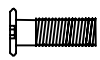
⑤ x 1



⑥ x 2

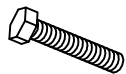


### HARDWARE



M8 x 25

Ⓐ x 36



Ⓑ x 4



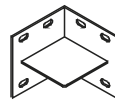
M8 x 19

Ⓒ x 40



∅12 x 40

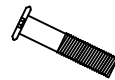
Ⓓ x 8



Ⓔ x 4

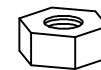


Ⓕ x 6



M8 x 65

Ⓖ x 4



Ⓗ x 4

### TOOL



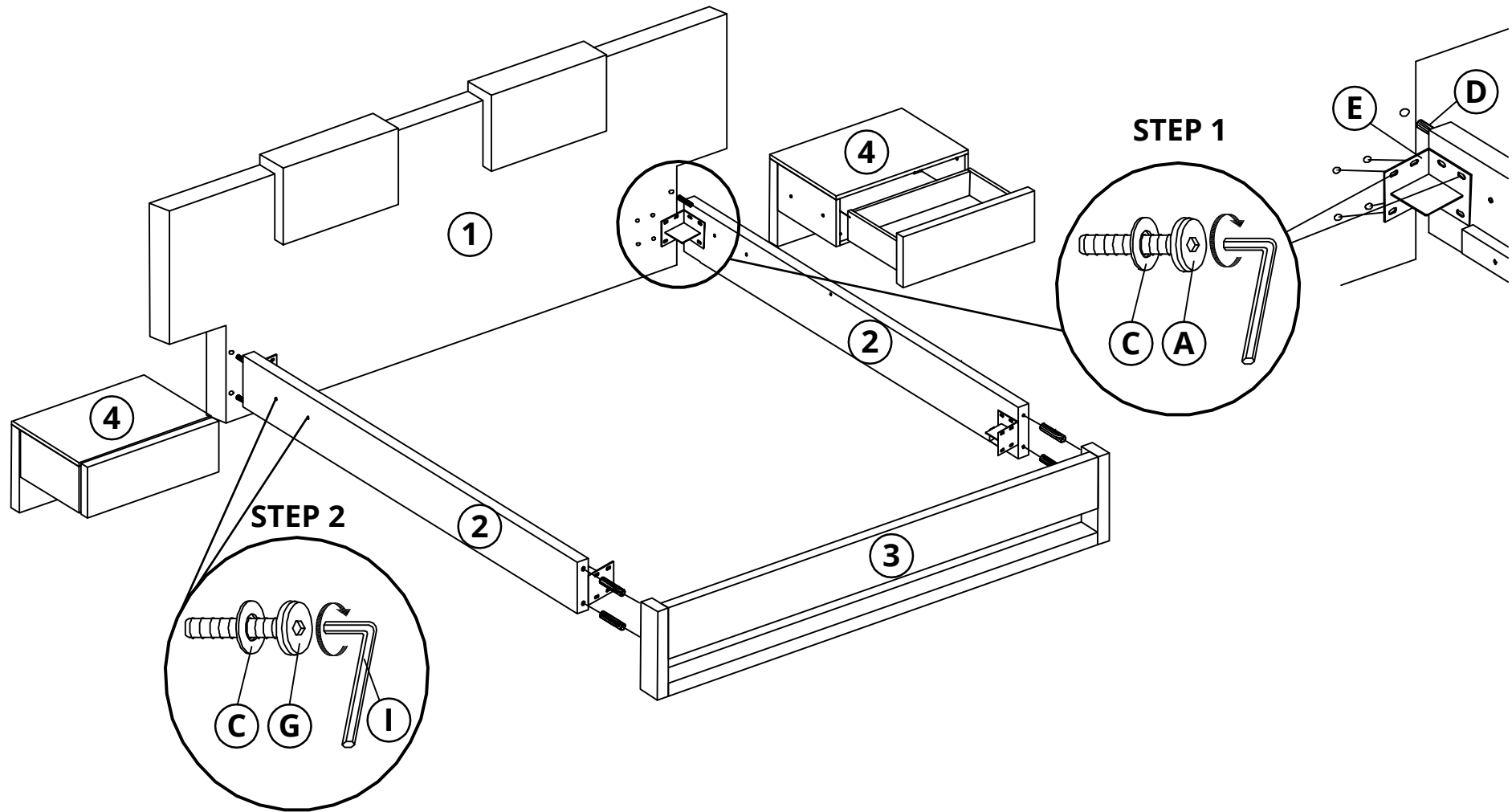
Ⓘ x 2



Ⓙ x 1

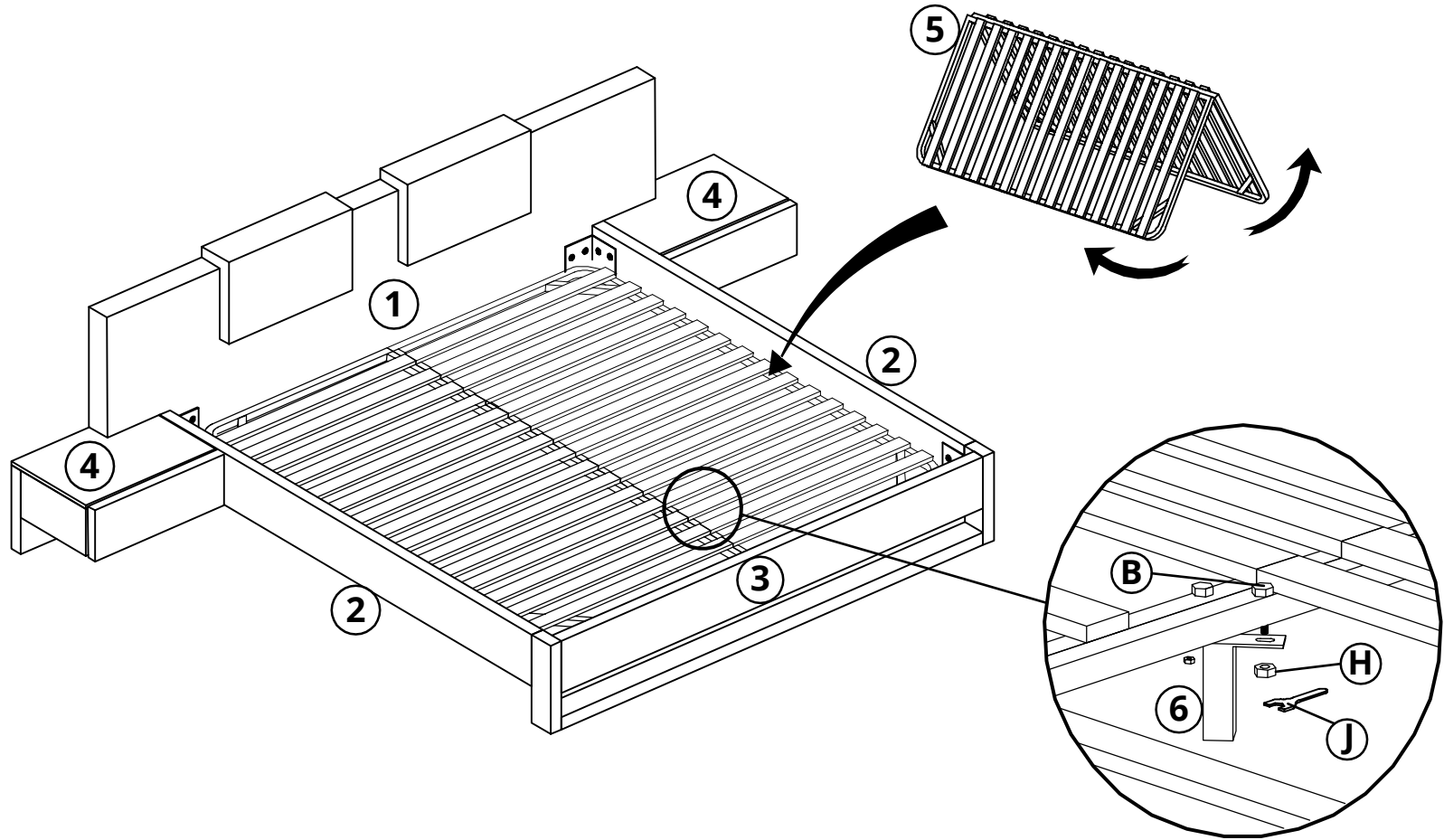


# ASSEMBLY INSTRUCTION MONROE MD316-CK

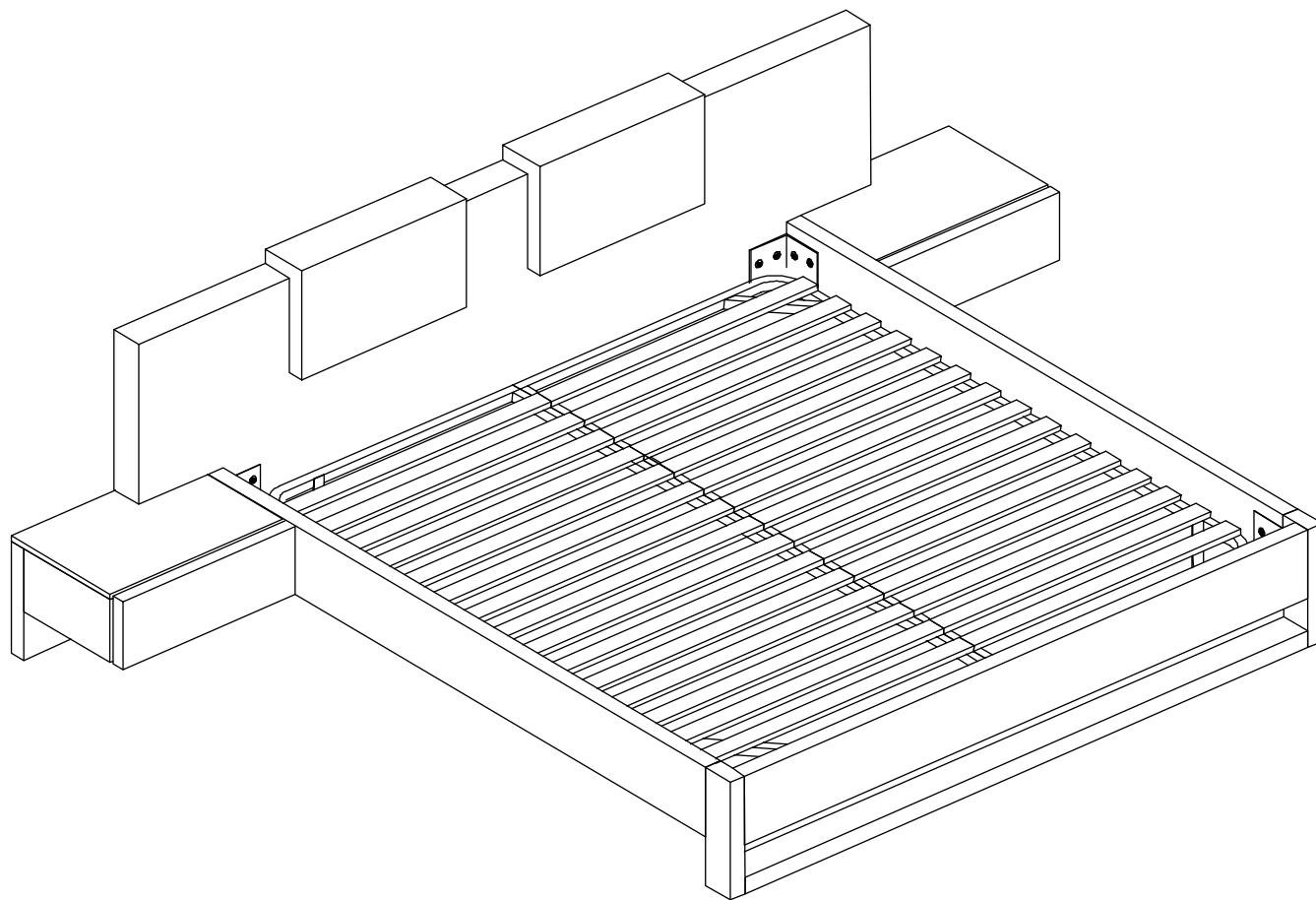




# ASSEMBLY INSTRUCTION MONROE MD316-CK



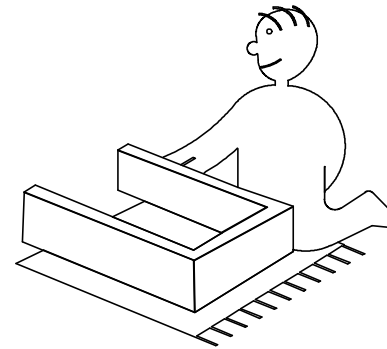
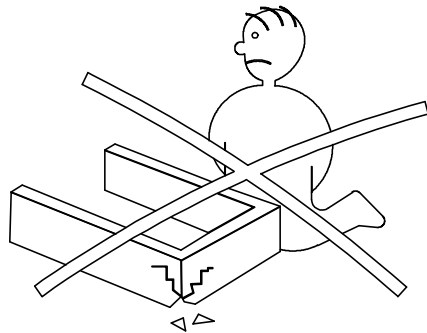
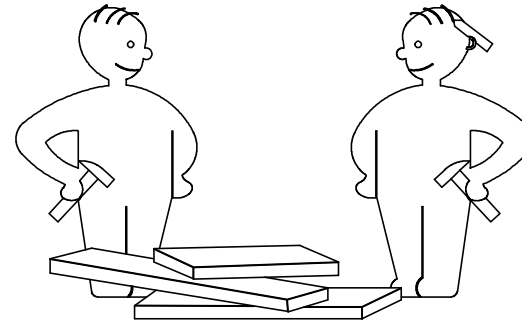
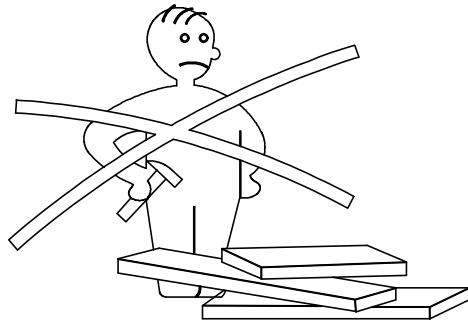
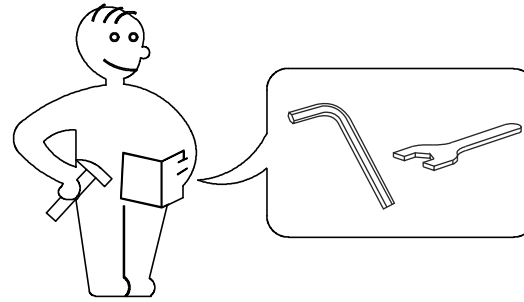
# MONROE



MODLOFT



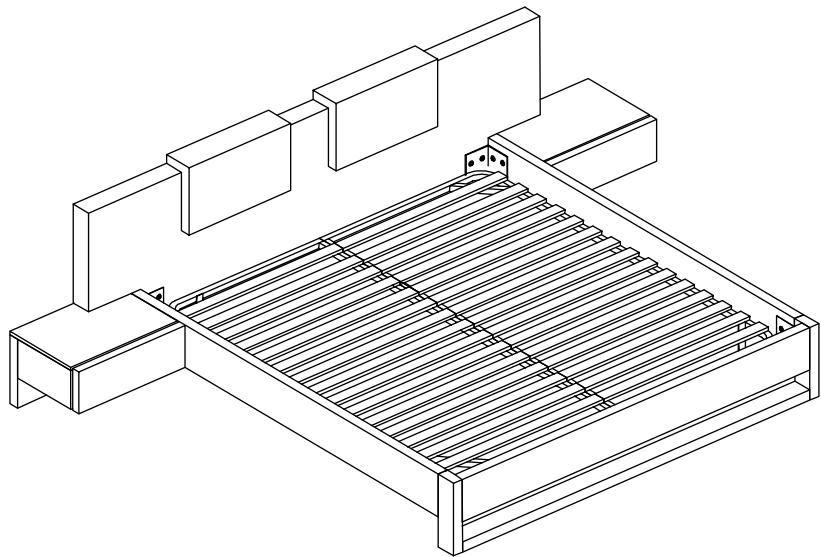
# ASSEMBLY INSTRUCTION MONROE MD316-K



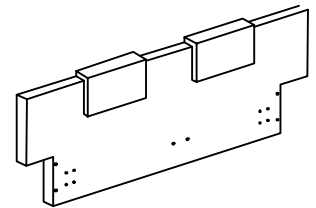


# ASSEMBLY INSTRUCTION MONROE MD316-K

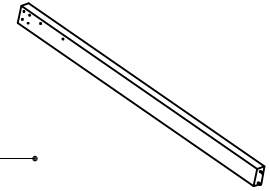
## PARTS



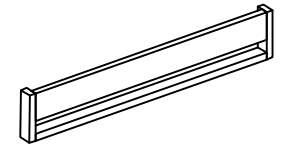
① x 1



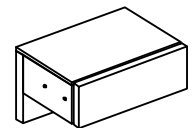
② x 2 (Left - Right)



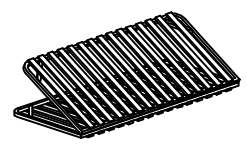
③ x 1



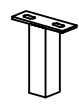
④ x 2 (Left - Right)



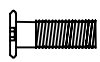
⑤ x 1



⑥ x 2

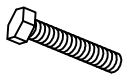


### HARDWARE



M8 x 25

Ⓐ x 36

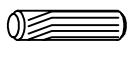


Ⓑ x 4



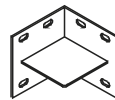
M8 x 19

Ⓒ x 40



∅12 x 40

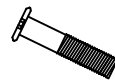
Ⓓ x 8



Ⓔ x 4

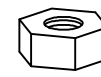


Ⓕ x 6



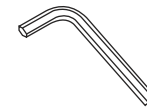
M8 x 65

Ⓖ x 4



Ⓗ x 4

### TOOL



Ⓘ x 2

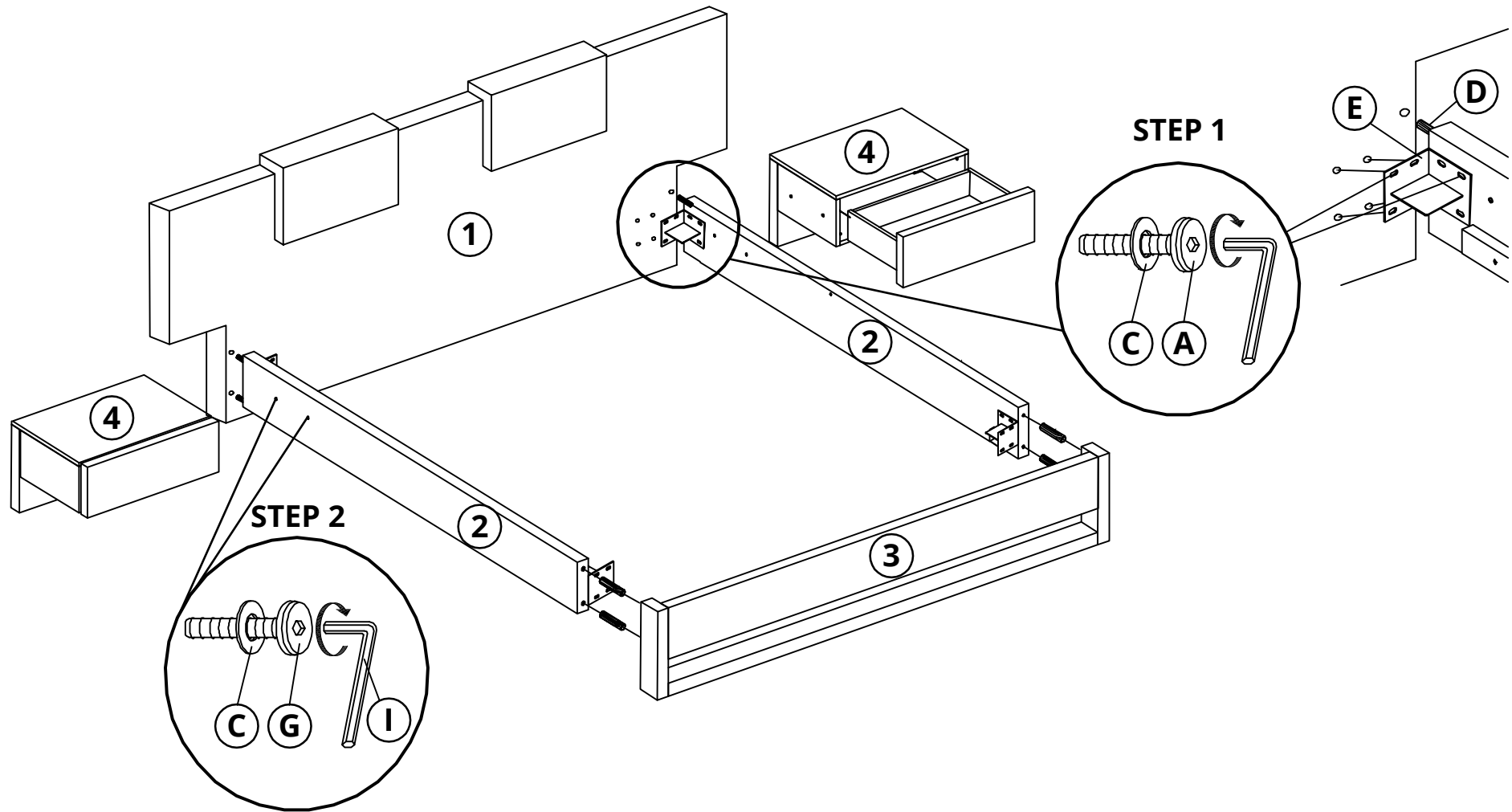


Ⓙ x 1



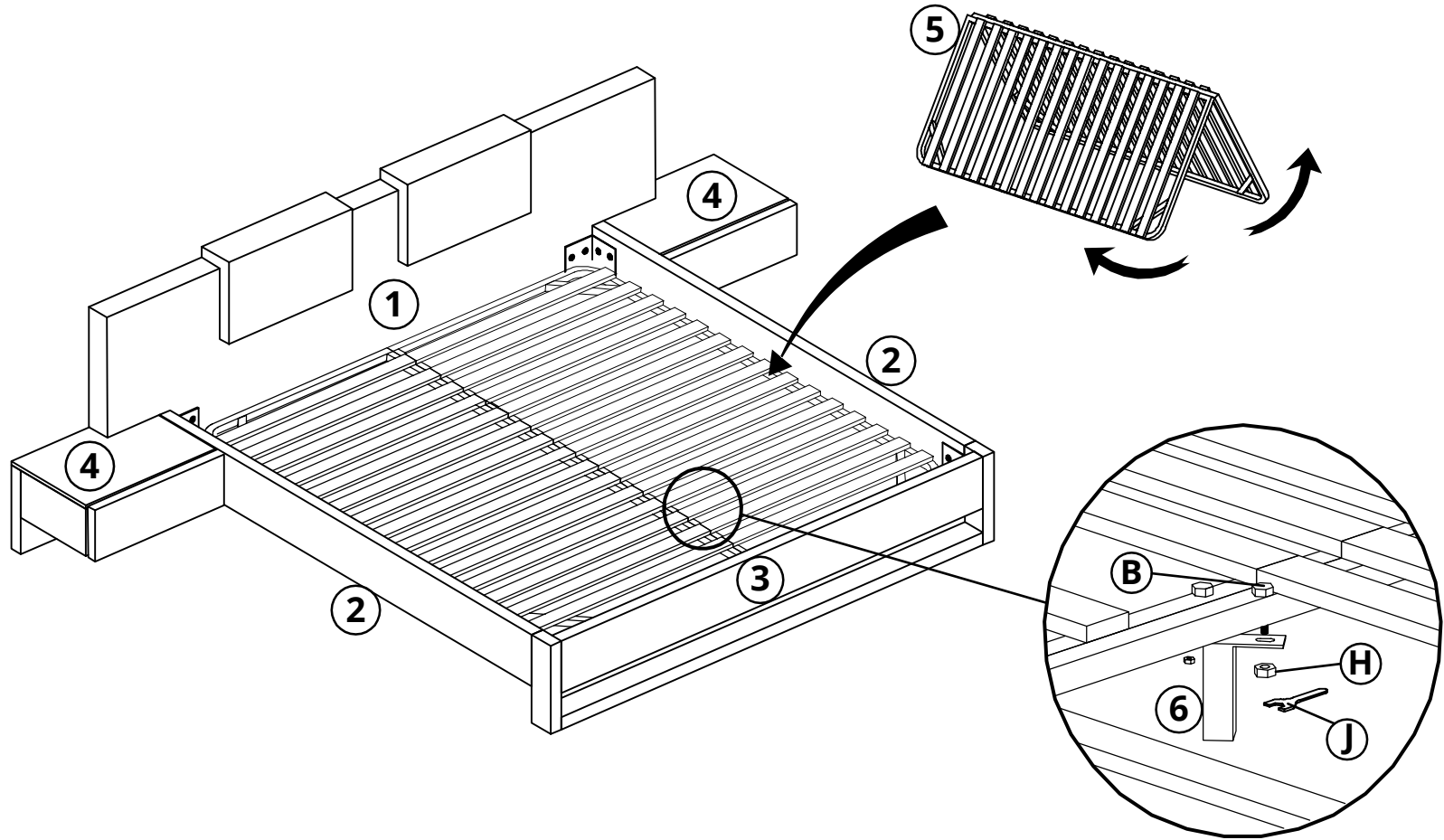


# ASSEMBLY INSTRUCTION MONROE MD316-K

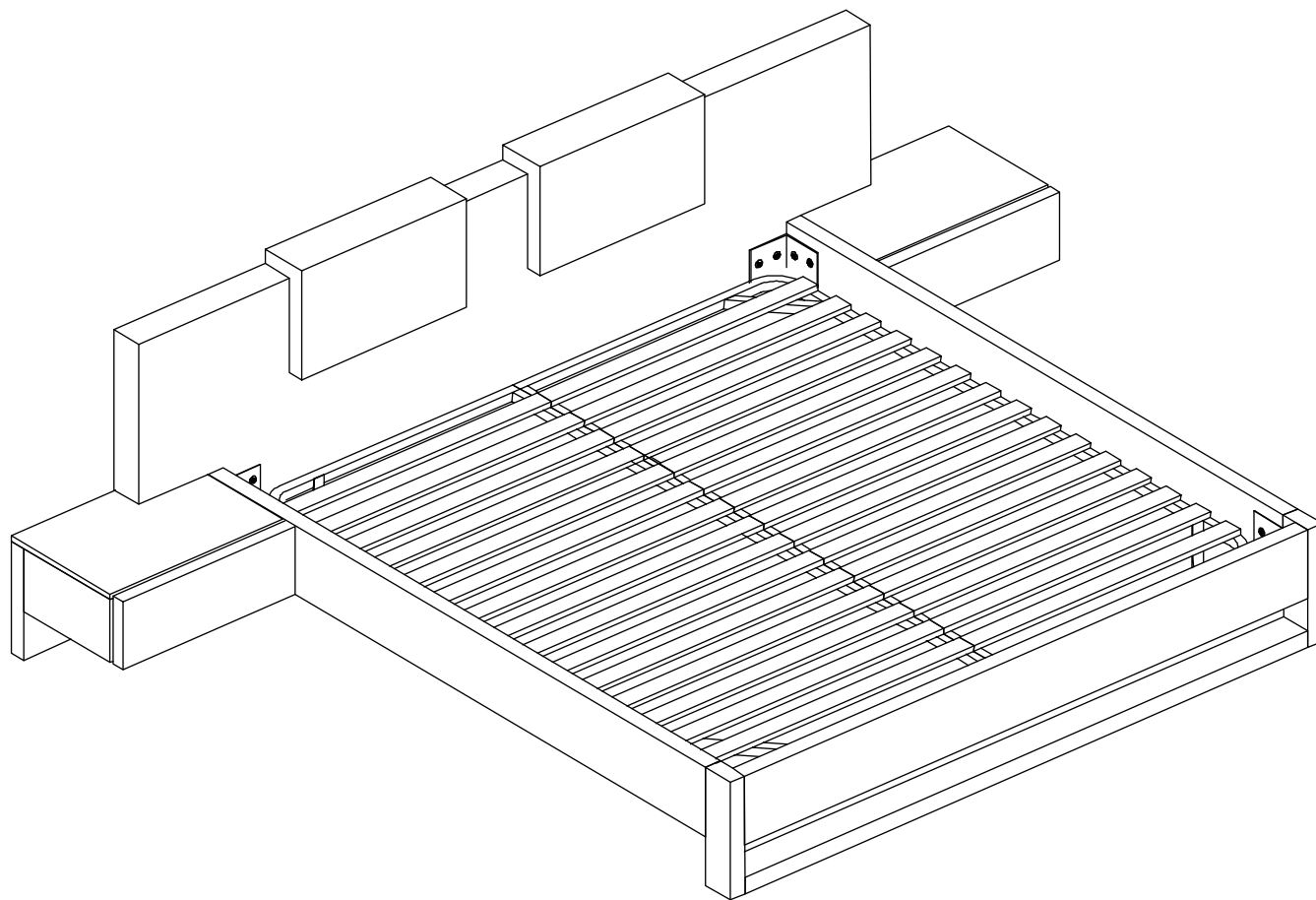




# ASSEMBLY INSTRUCTION MONROE MD316-K



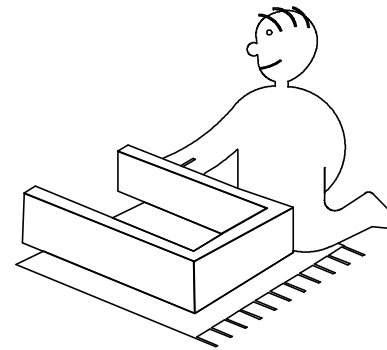
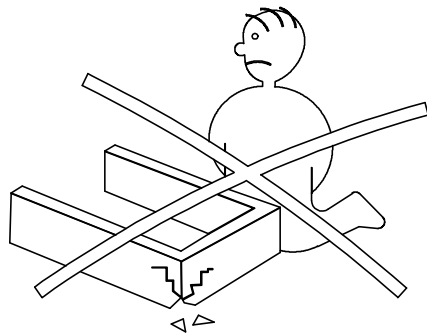
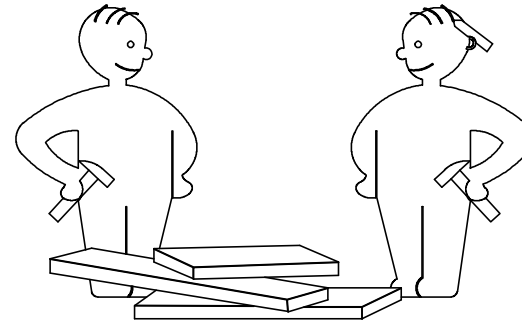
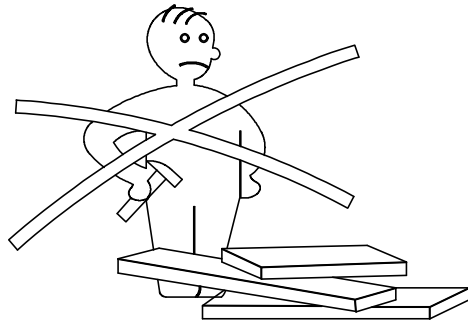
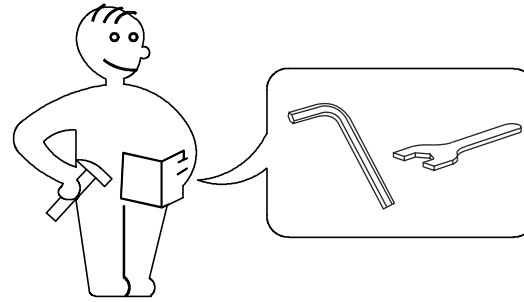
# MONROE



MODLOFT



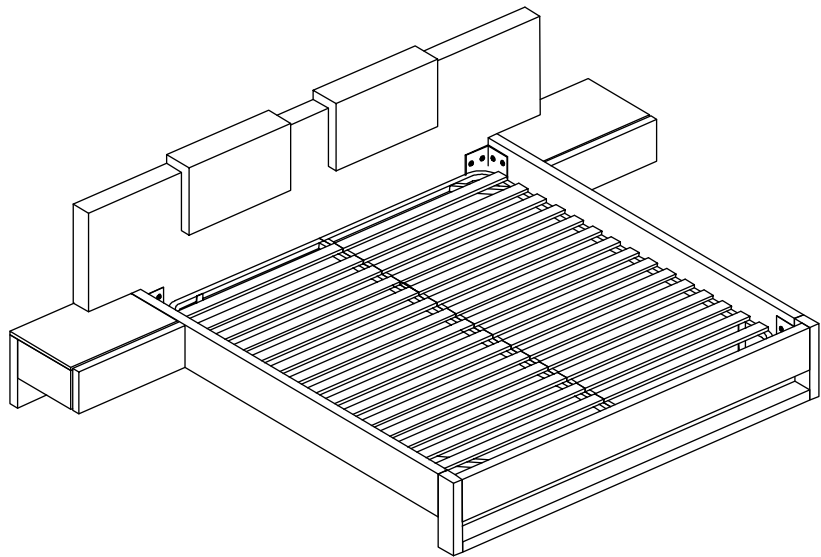
# ASSEMBLY INSTRUCTION MONROE MD316-Q



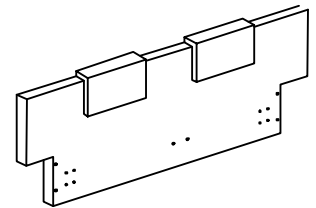


# ASSEMBLY INSTRUCTION MONROE MD316-Q

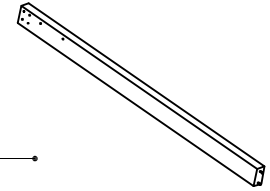
## PARTS



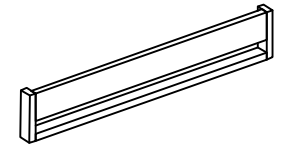
① x 1



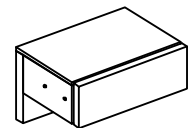
② x 2 (Left - Right)



③ x 1



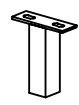
④ x 2 (Left - Right)



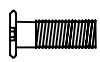
⑤ x 1



⑥ x 2

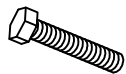


### HARDWARE



M8 x 25

Ⓐ x 36

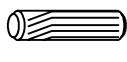


Ⓑ x 4



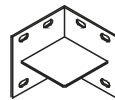
M8 x 19

Ⓒ x 40



∅12 x 40

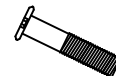
Ⓓ x 8



Ⓔ x 4



Ⓕ x 6



M8 x 65

Ⓖ x 4



Ⓗ x 4

### TOOL



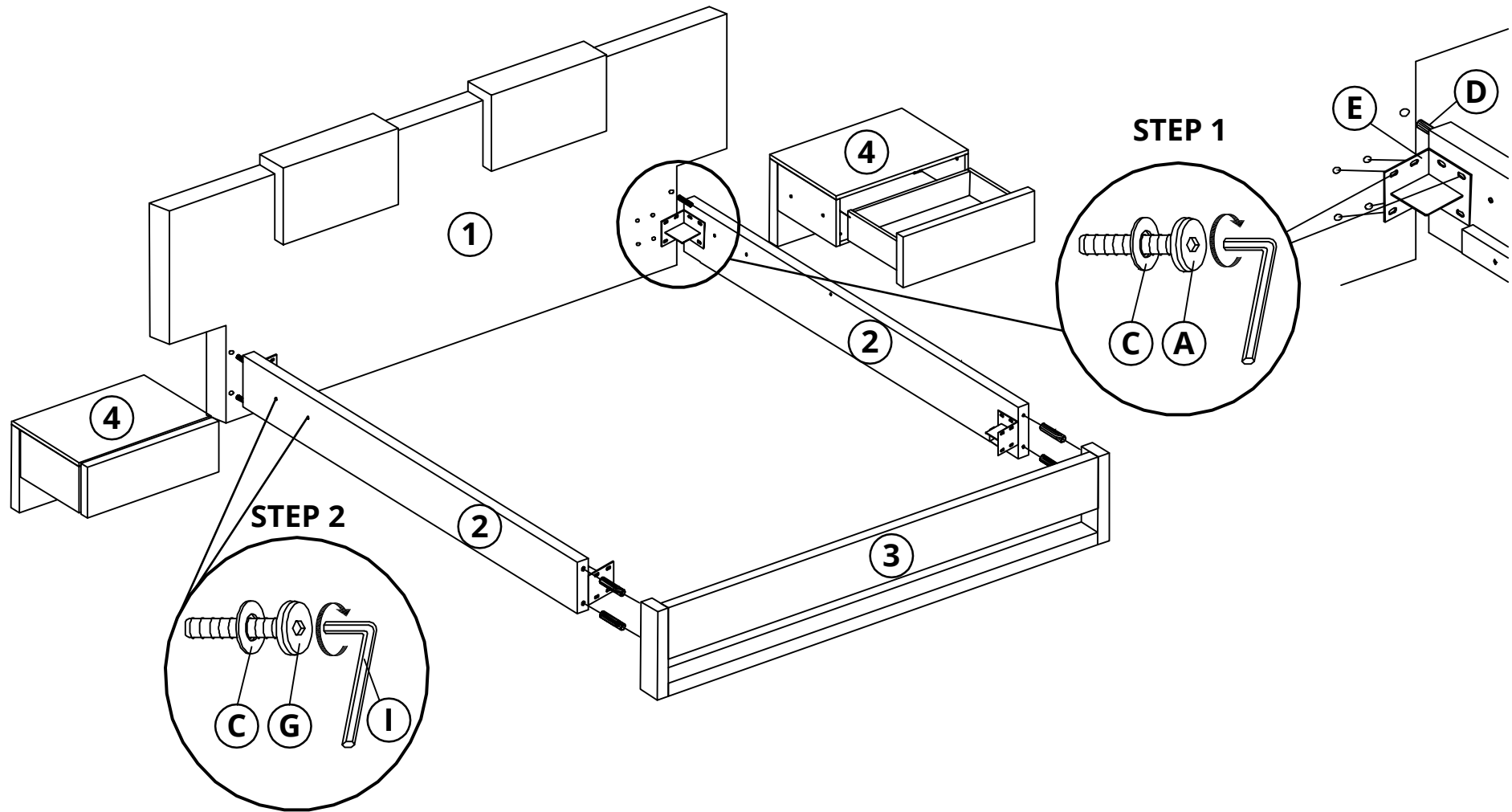
Ⓘ x 2



Ⓙ x 1



# ASSEMBLY INSTRUCTION MONROE MD316-Q





# ASSEMBLY INSTRUCTION MONROE MD316-Q

