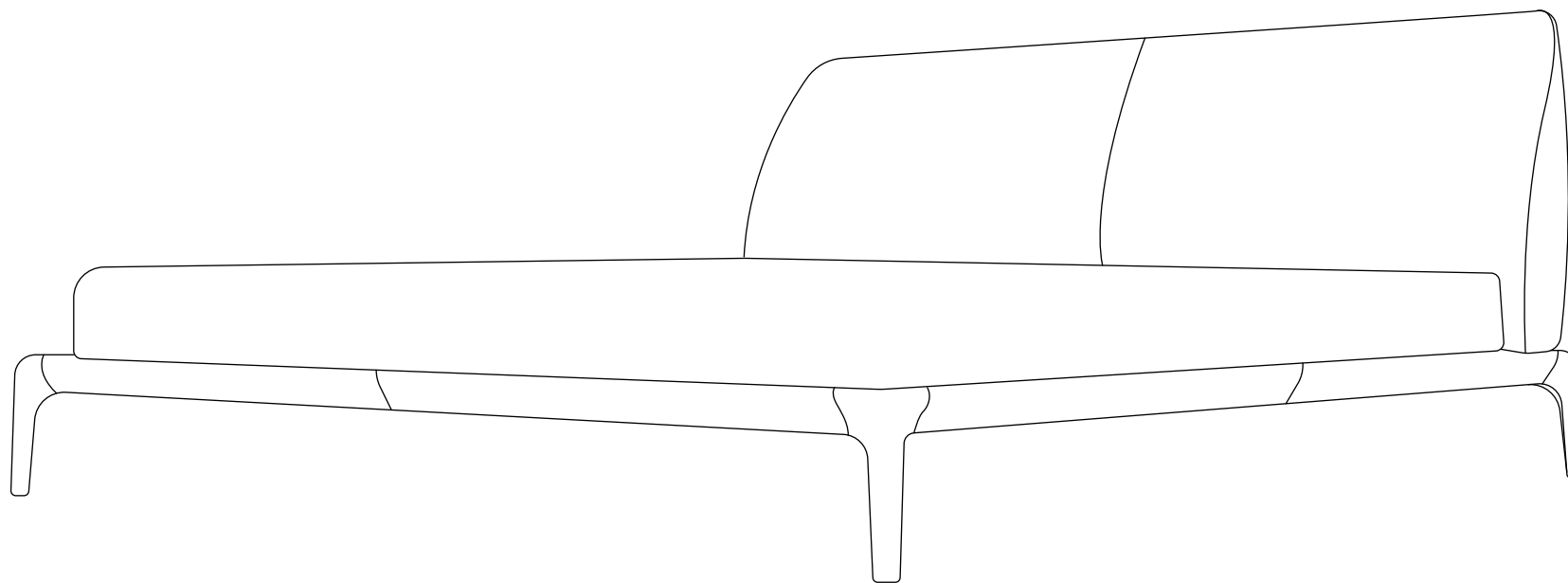


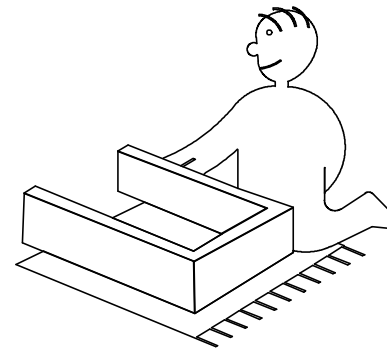
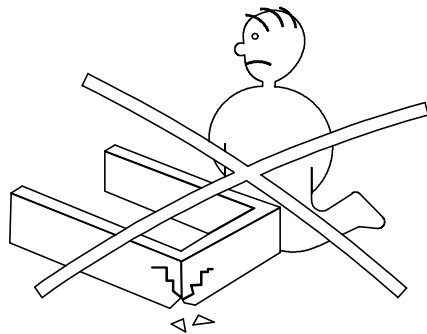
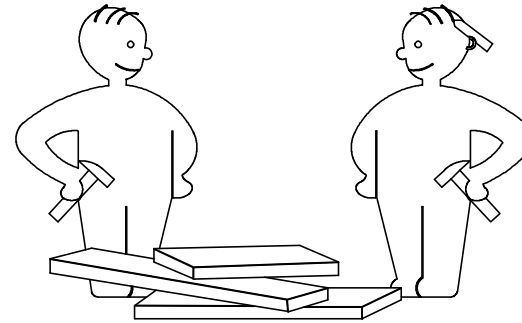
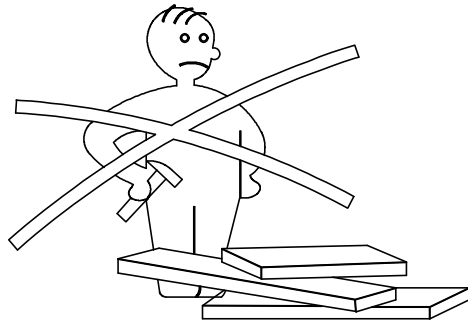
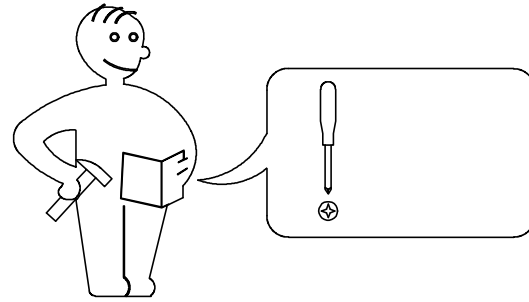
# VAN DER BILT



MODLOFT



# ASSEMBLY INSTRUCTION VANDERBILT 5803-Q

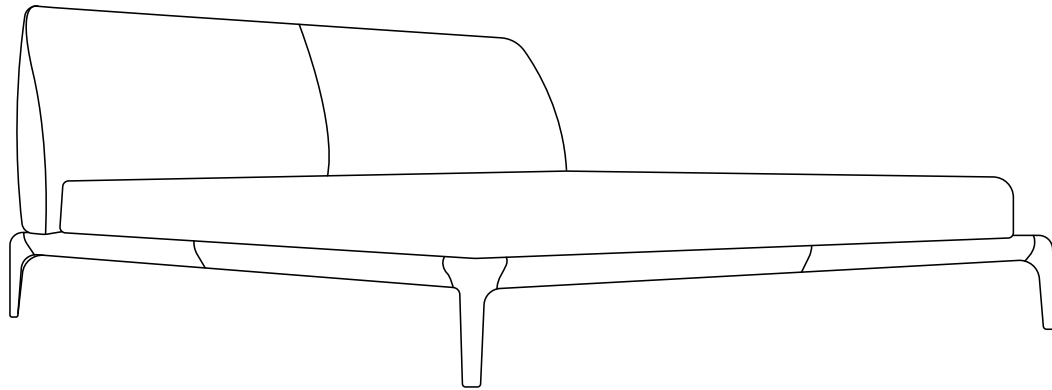




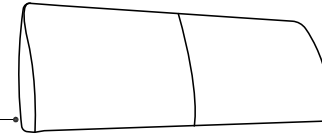
# ASSEMBLY INSTRUCTION

## VANDERBILT 5803-Q

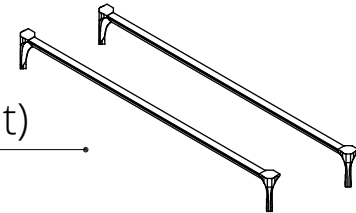
### PARTS



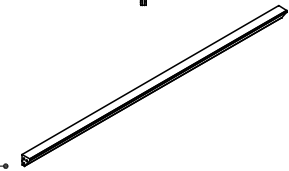
① x 1



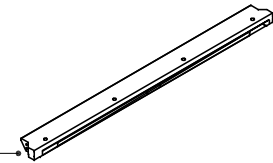
② x 2 (Left - Right)



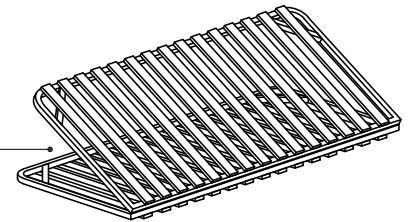
③ x 1



④ x 1



⑤ x 1



#### HARDWARE



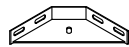
M8x30mm

Ⓐ x 24



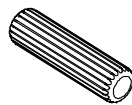
9x22mm

Ⓑ x 26

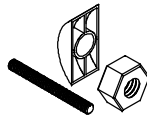


250x90x38mm

Ⓒ x 4

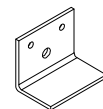


Ⓓ x 10



M8mm

Ⓔ x 4



125x65x35mm

Ⓕ x 4



M8x100mm

Ⓖ x 6

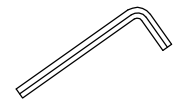


Ⓖ x 8

#### TOOL



Ⓘ x 1

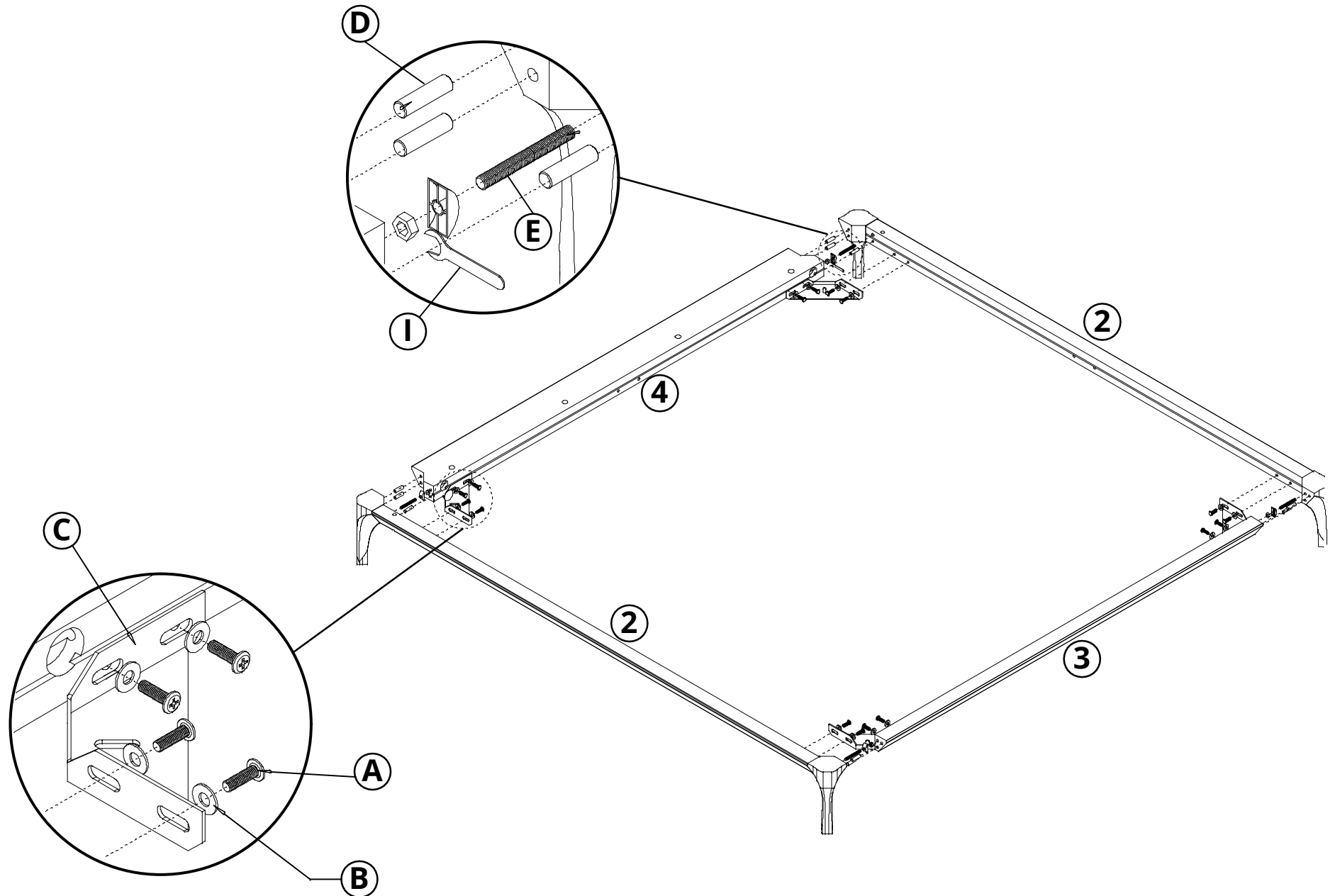


Ⓙ x 1



# ASSEMBLY INSTRUCTION VANDERBILT 5803-Q

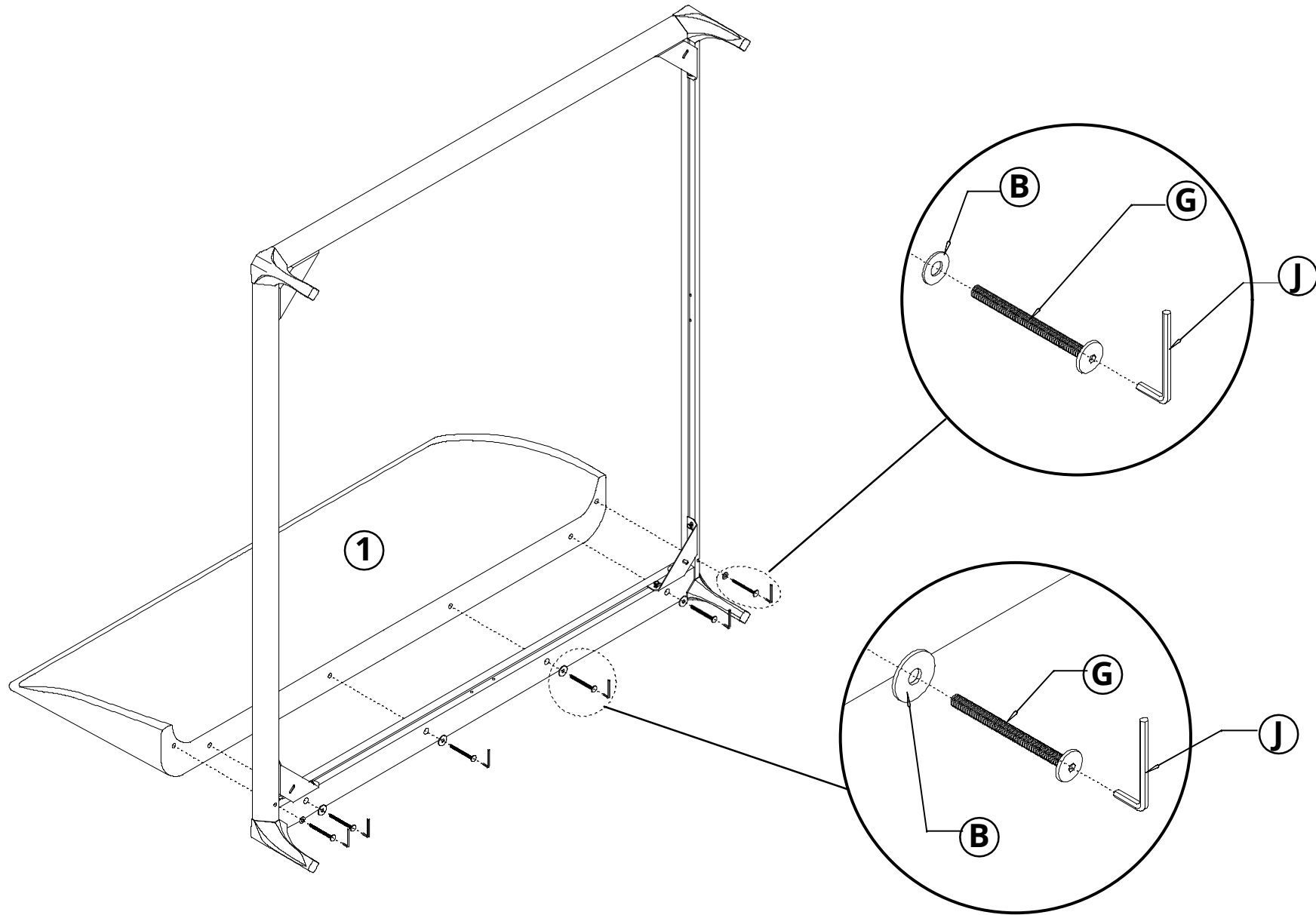
STEP 1





# ASSEMBLY INSTRUCTION VANDERBILT 5803-Q

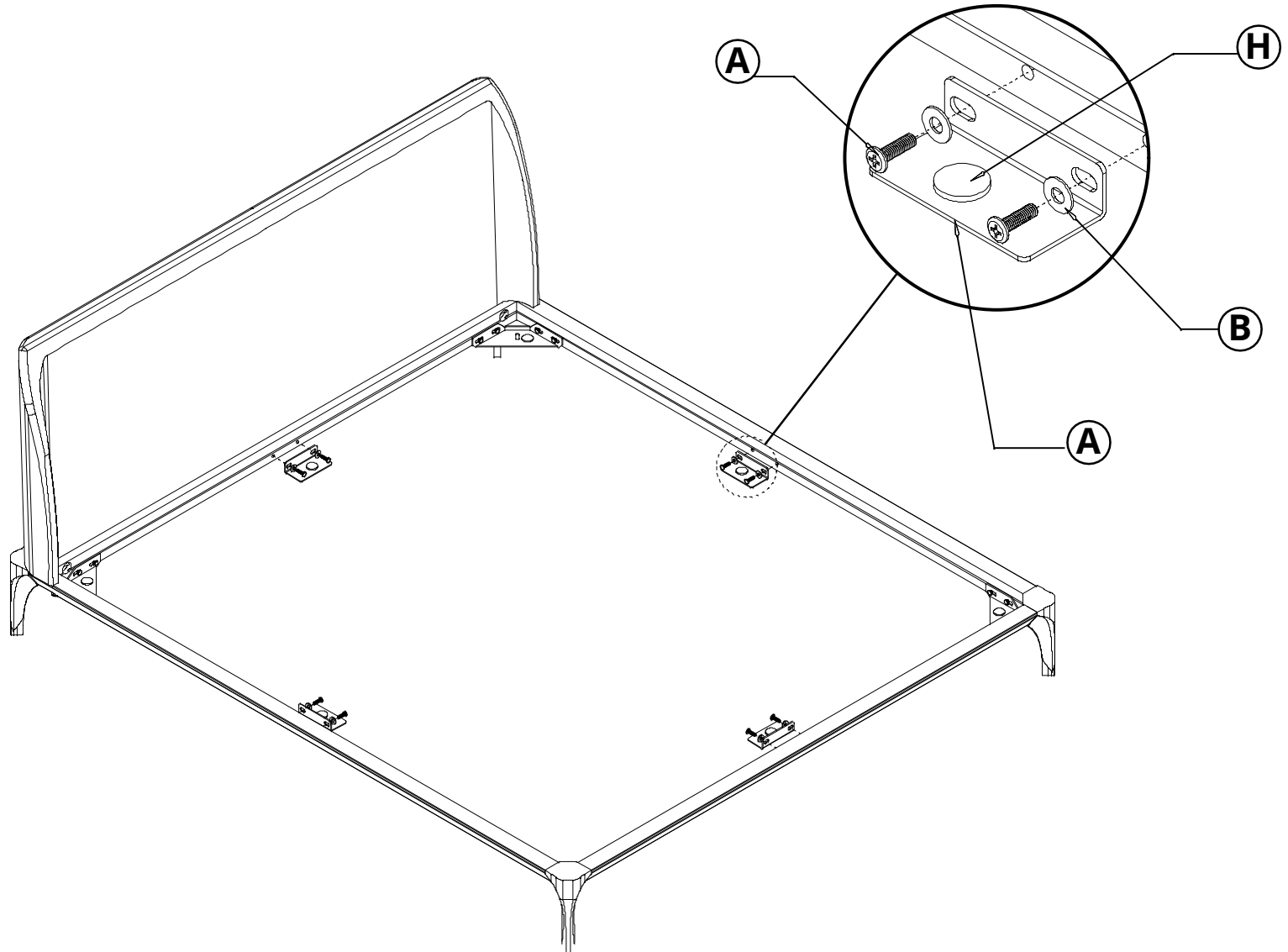
STEP 2





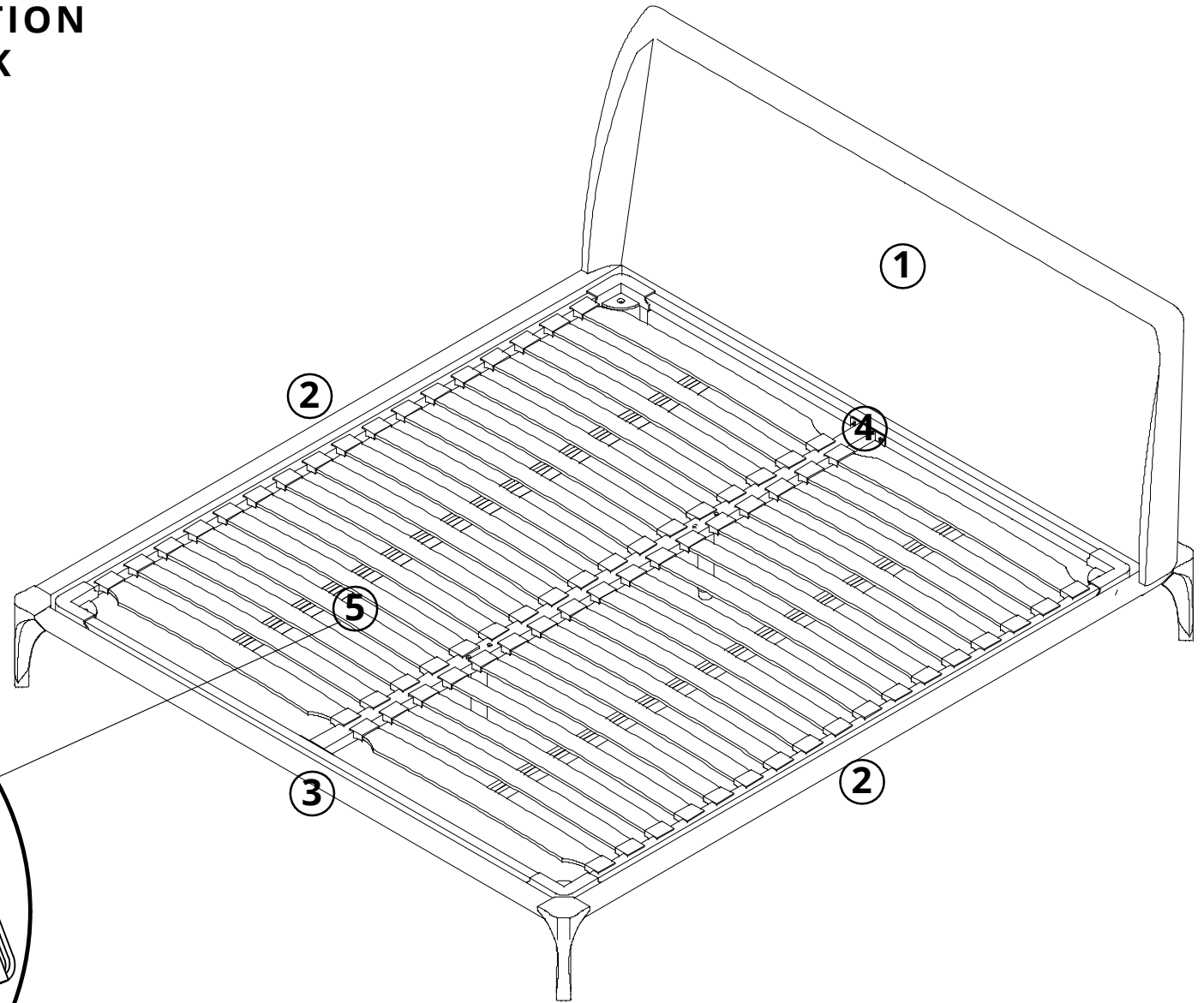
# ASSEMBLY INSTRUCTION VANDERBILT 5803-K

STEP 3

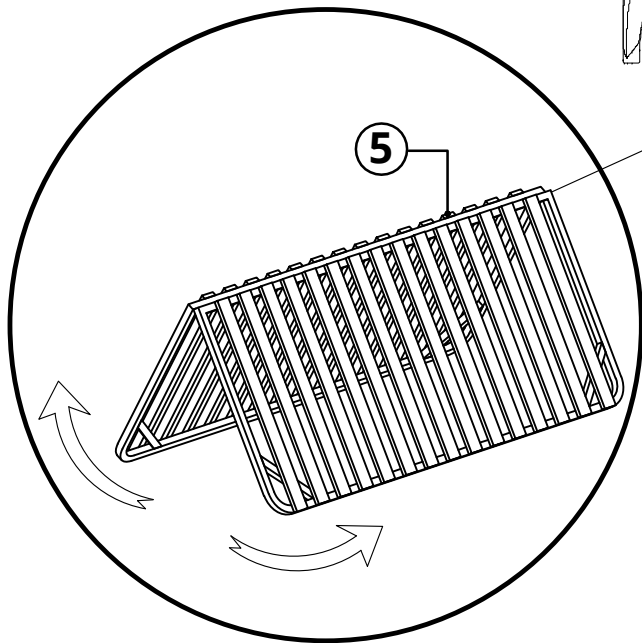




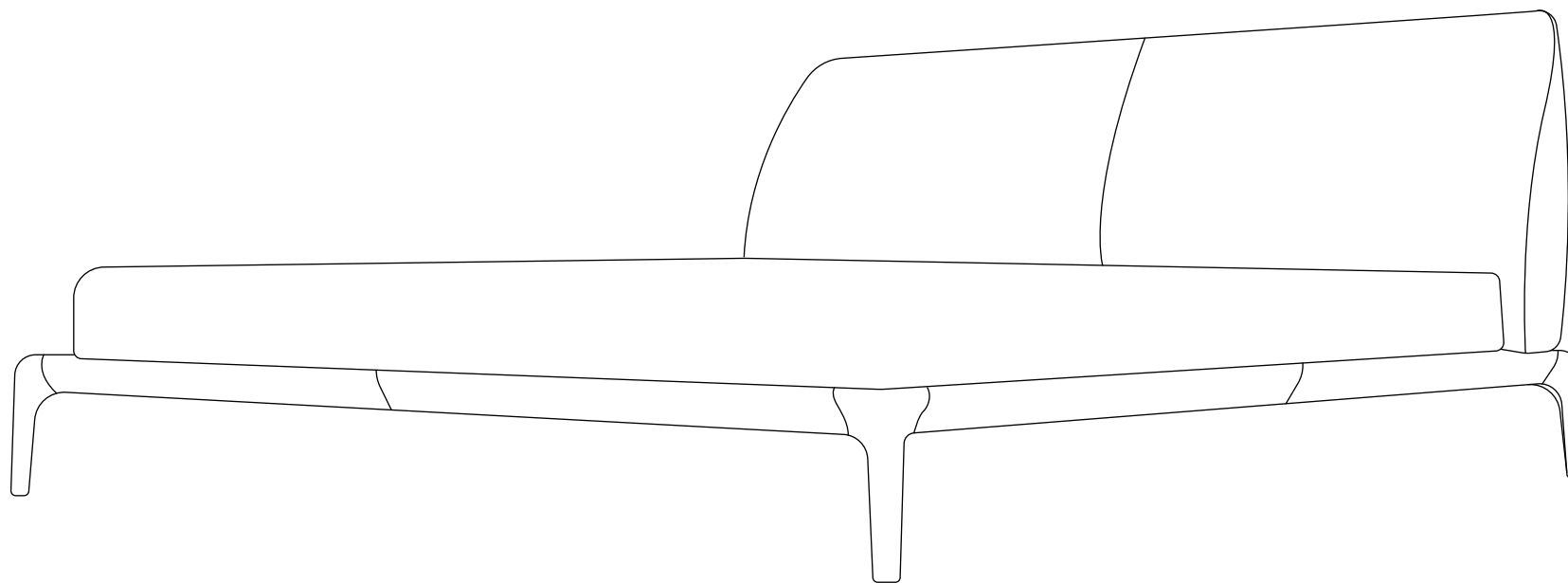
# ASSEMBLY INSTRUCTION VANDERBILT 5803-CK



## STEP 4



# VAN DER BILT

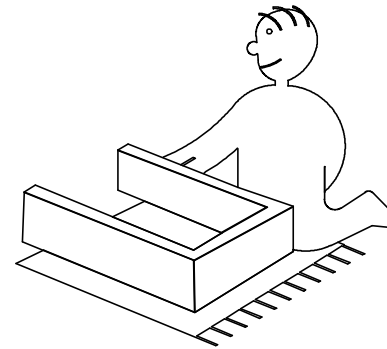
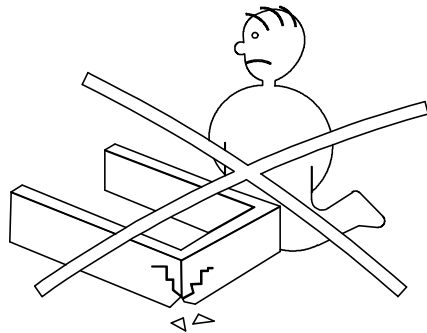
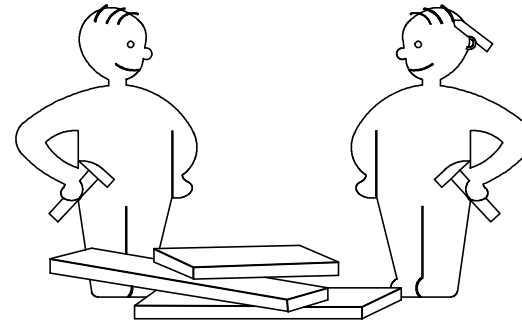
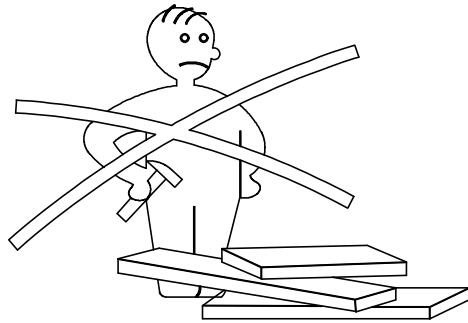
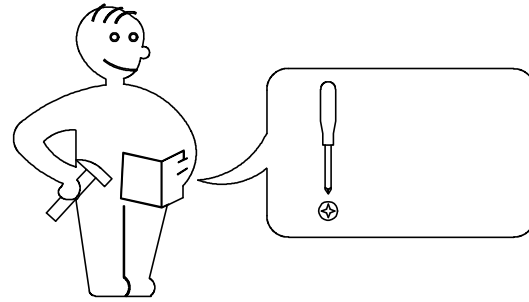


MODLOFT





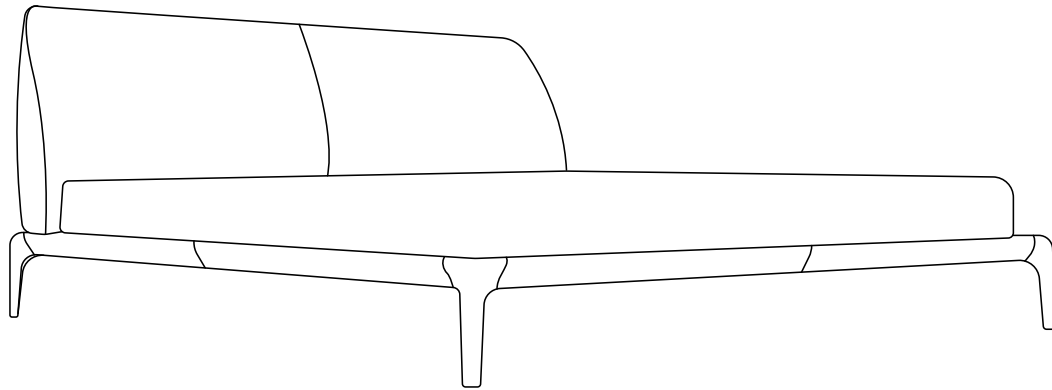
# ASSEMBLY INSTRUCTION VANDERBILT 5803-K



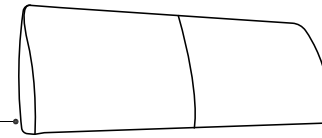


# ASSEMBLY INSTRUCTION VANDERBILT 5803-K

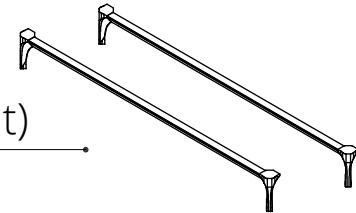
## PARTS



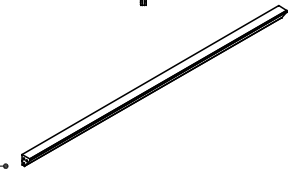
① x 1



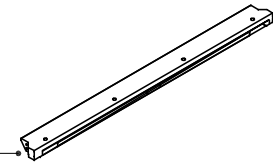
② x 2 (Left - Right)



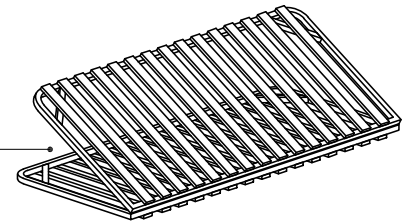
③ x 1



④ x 1



⑤ x 1



### HARDWARE



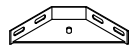
M8x30mm

Ⓐ x 24



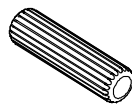
9x22mm

Ⓑ x 26

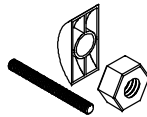


250x90x38mm

Ⓒ x 4

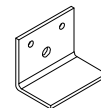


Ⓓ x 10



M8mm

Ⓔ x 4



125x65x35mm

Ⓕ x 4



M8x100mm

Ⓖ x 6

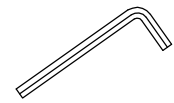


Ⓖ x 8

### TOOL



Ⓘ x 1

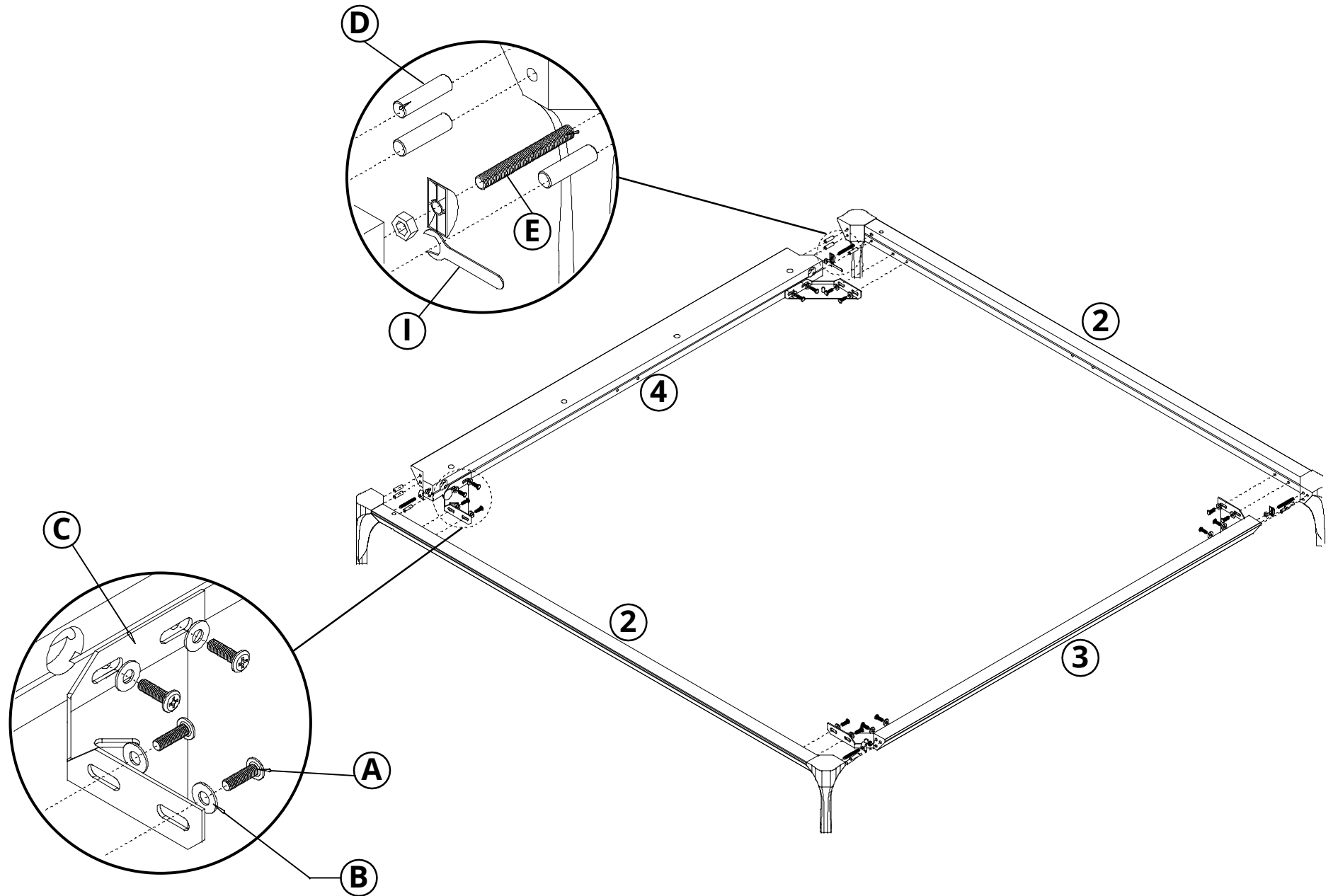


Ⓙ x 1



# ASSEMBLY INSTRUCTION VANDERBILT 5803-K

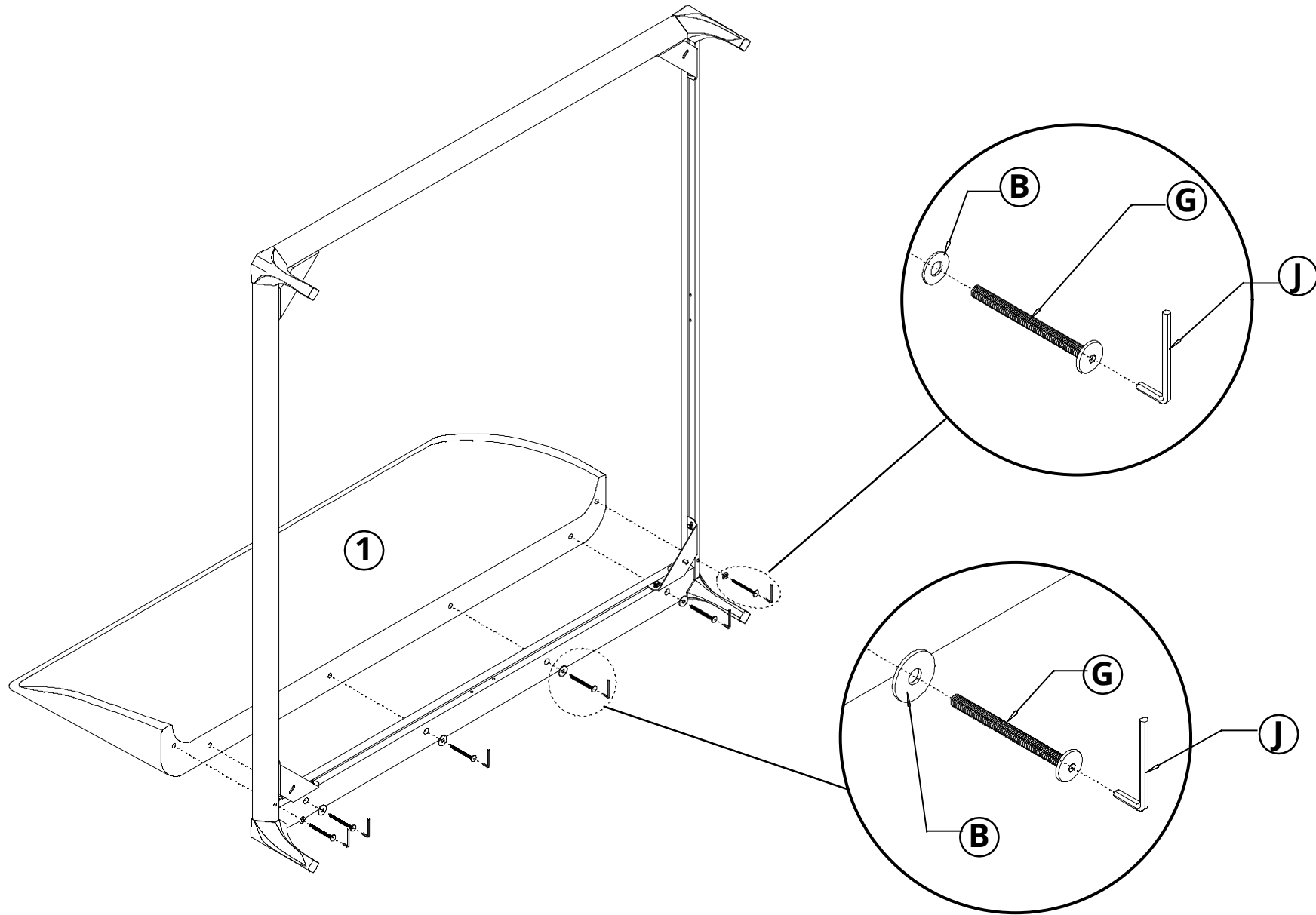
STEP 1





# ASSEMBLY INSTRUCTION VANDERBILT 5803-K

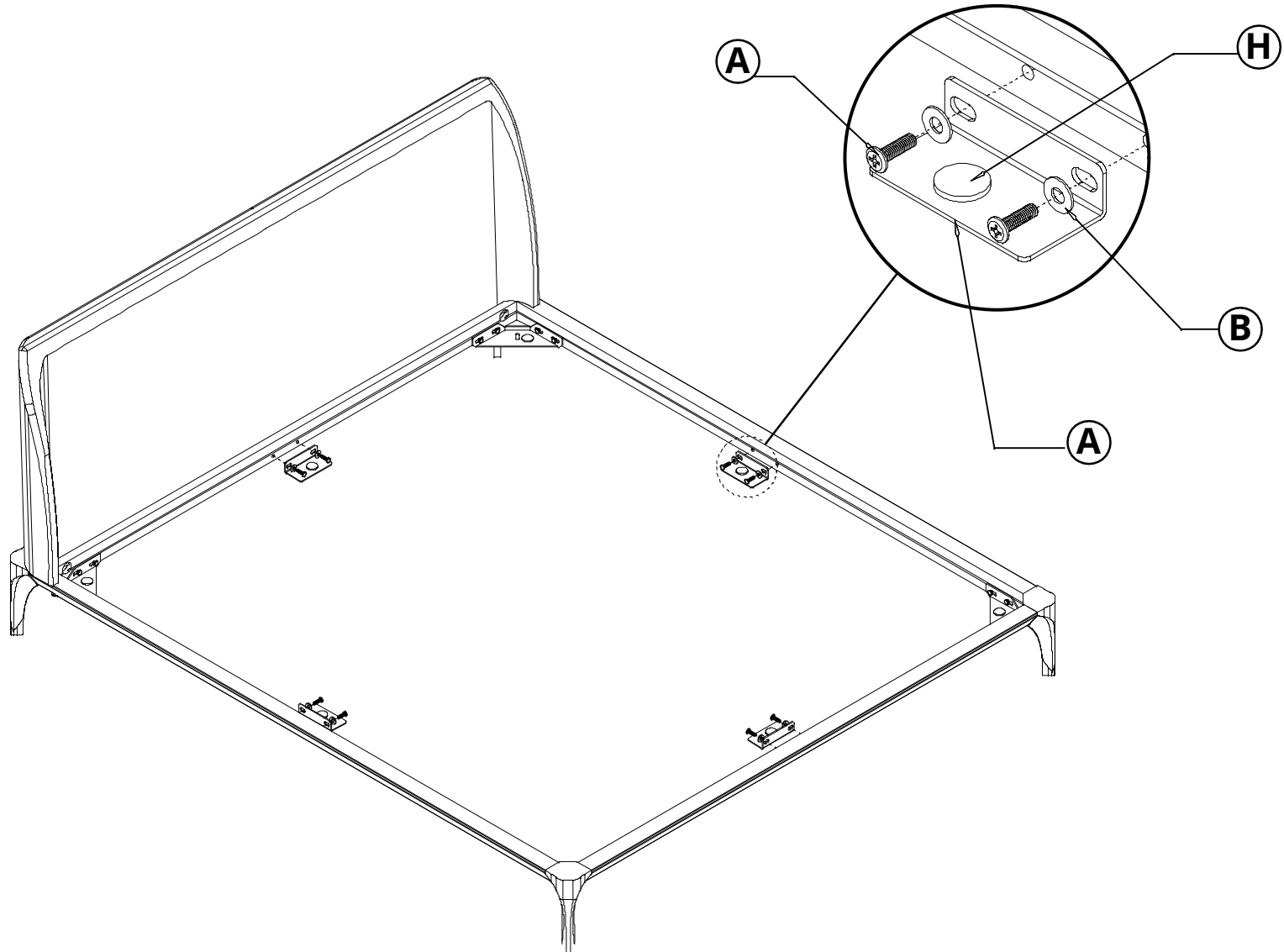
STEP 2





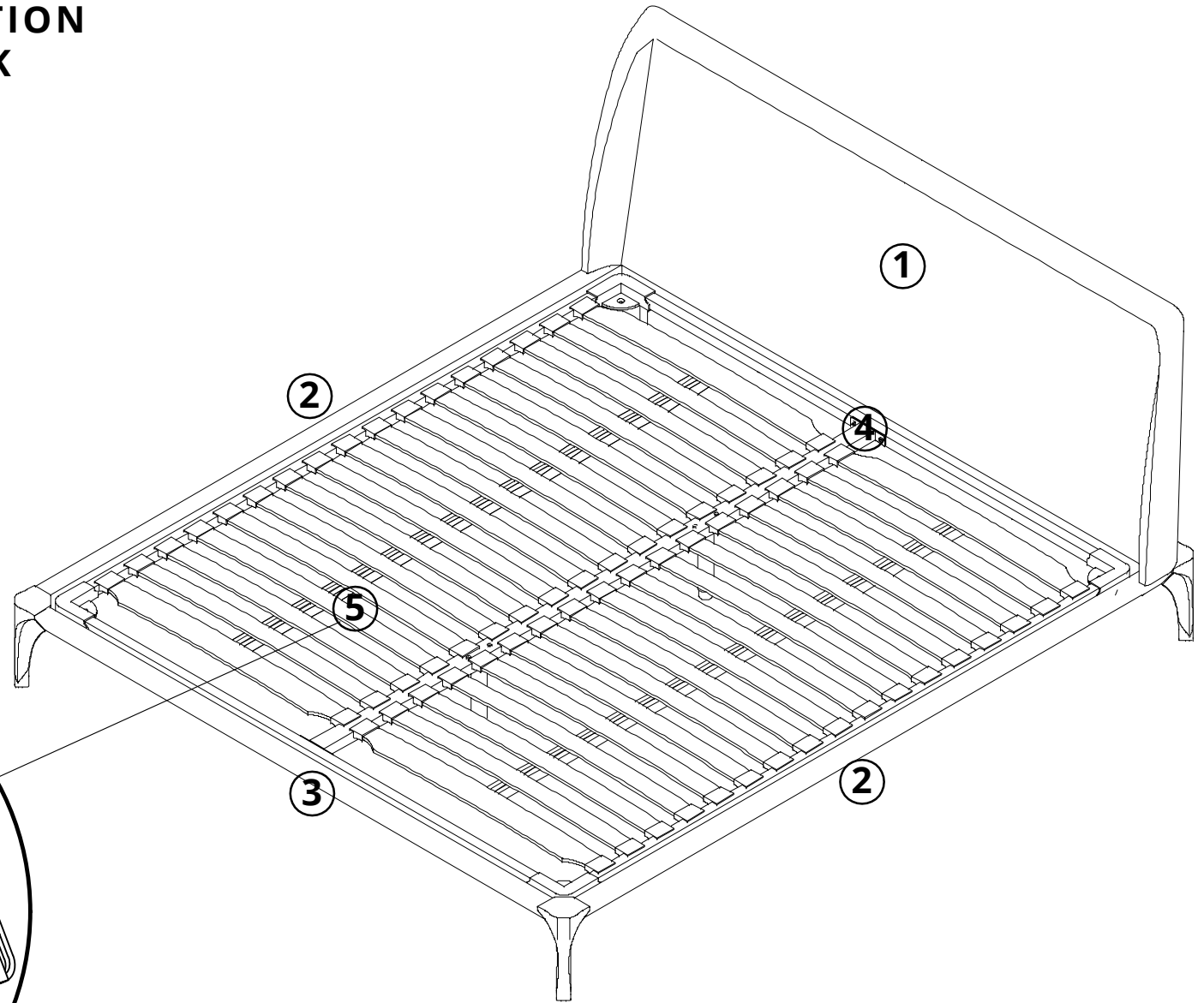
# ASSEMBLY INSTRUCTION VANDERBILT 5803-K

STEP 3

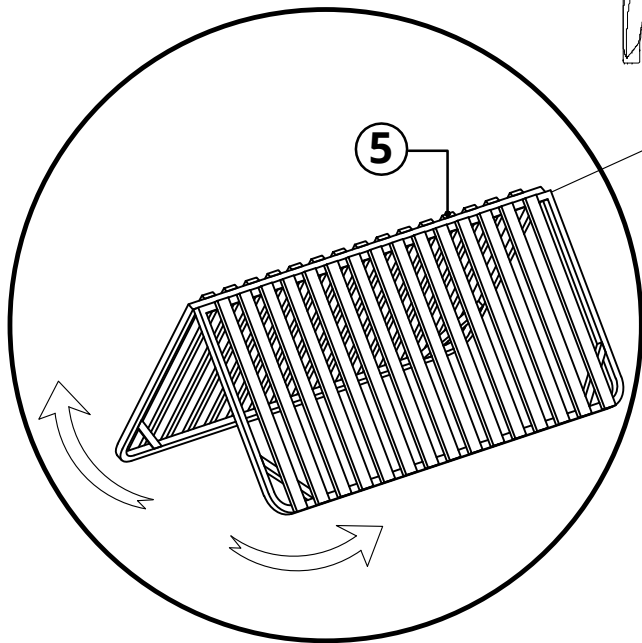




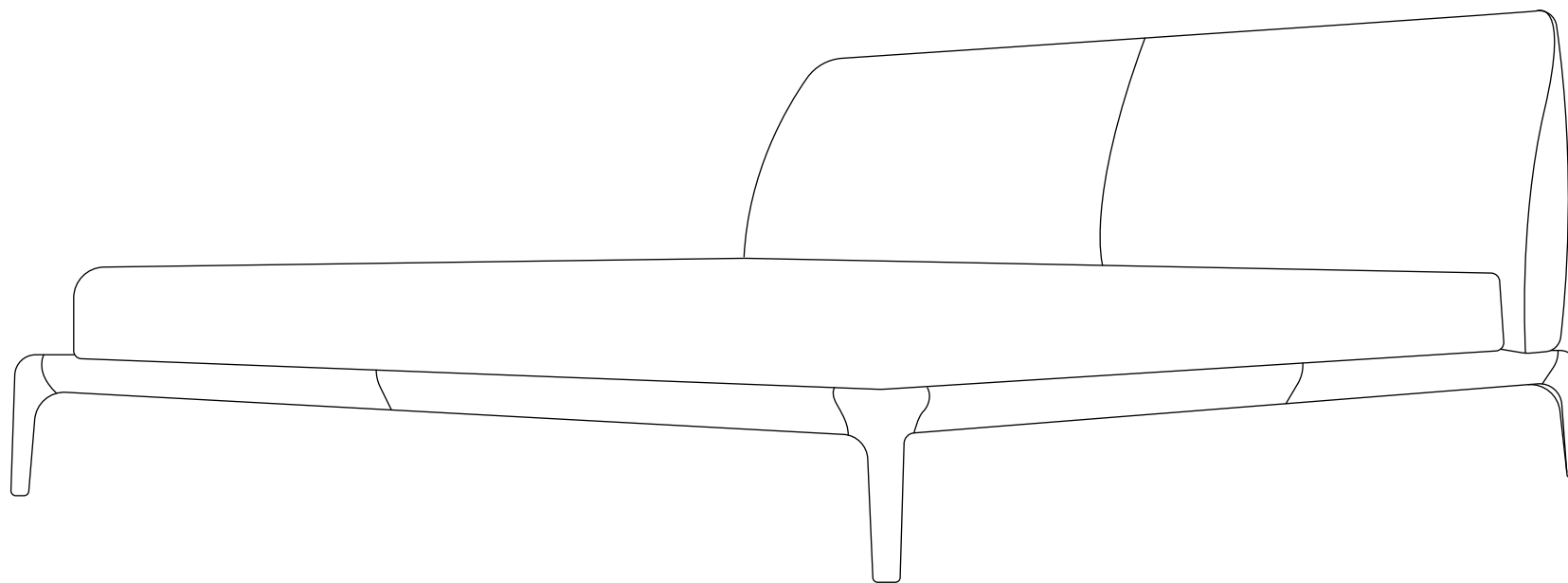
# ASSEMBLY INSTRUCTION VANDERBILT 5803-CK



## STEP 4



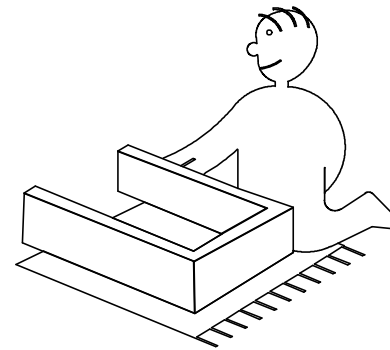
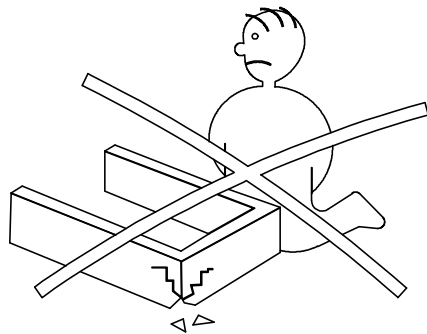
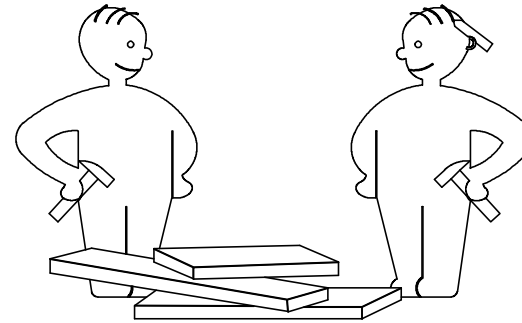
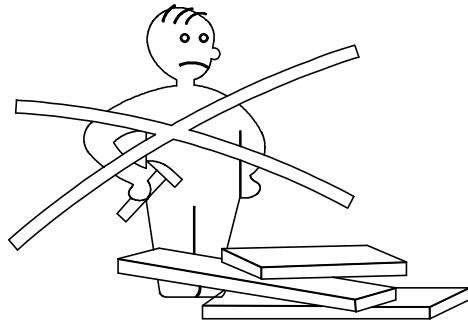
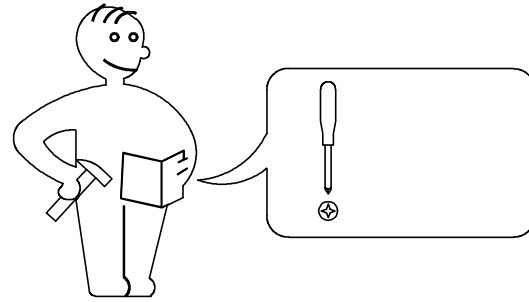
# VAN DER BILT



MODLOFT



# ASSEMBLY INSTRUCTION VANDERBILT 5803-CK

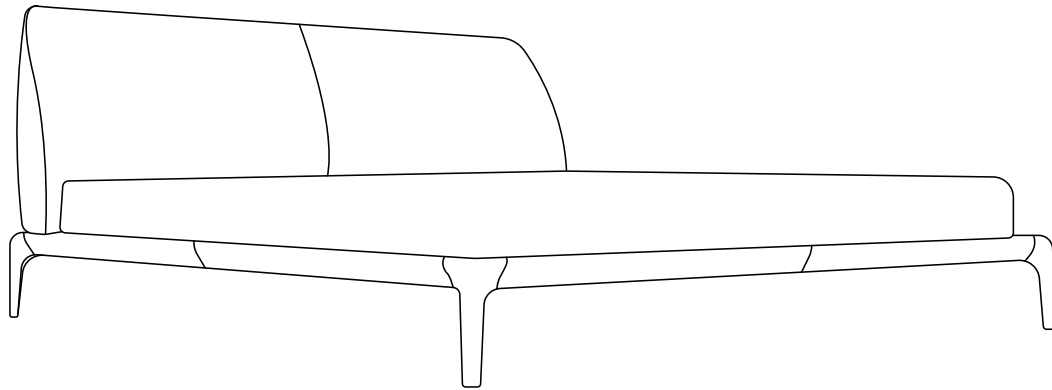




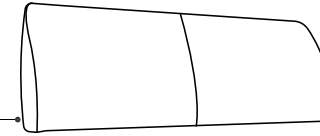


# ASSEMBLY INSTRUCTION VANDERBILT 5803-CK

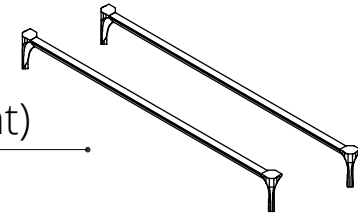
## PARTS



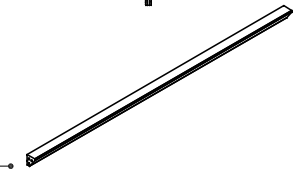
① x 1



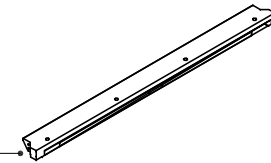
② x 2 (Left - Right)



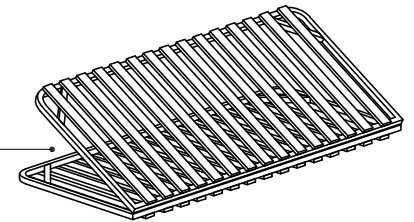
③ x 1



④ x 1



⑤ x 1



### HARDWARE



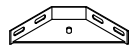
M8x30mm

Ⓐ x 24



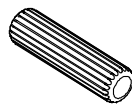
9x22mm

Ⓑ x 26

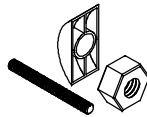


250x90x38mm

Ⓒ x 4

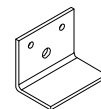


Ⓓ x 10



M8mm

Ⓔ x 4



125x65x35mm

Ⓕ x 4



M8x100mm

Ⓖ x 6

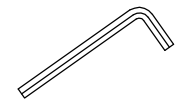


Ⓗ x 8

### TOOL



Ⓘ x 1

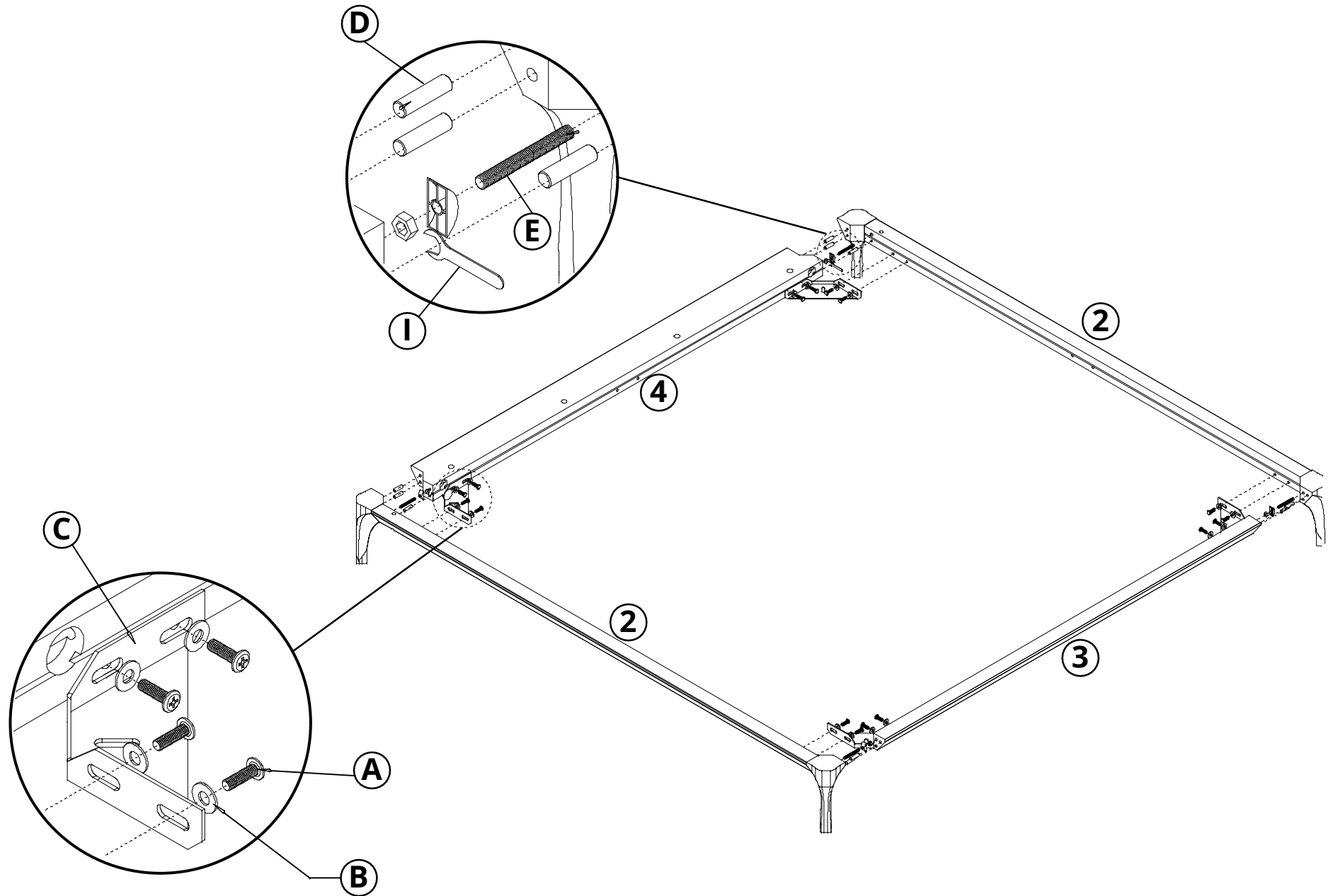


Ⓙ x 1



# ASSEMBLY INSTRUCTION VANDERBILT 5803-CK

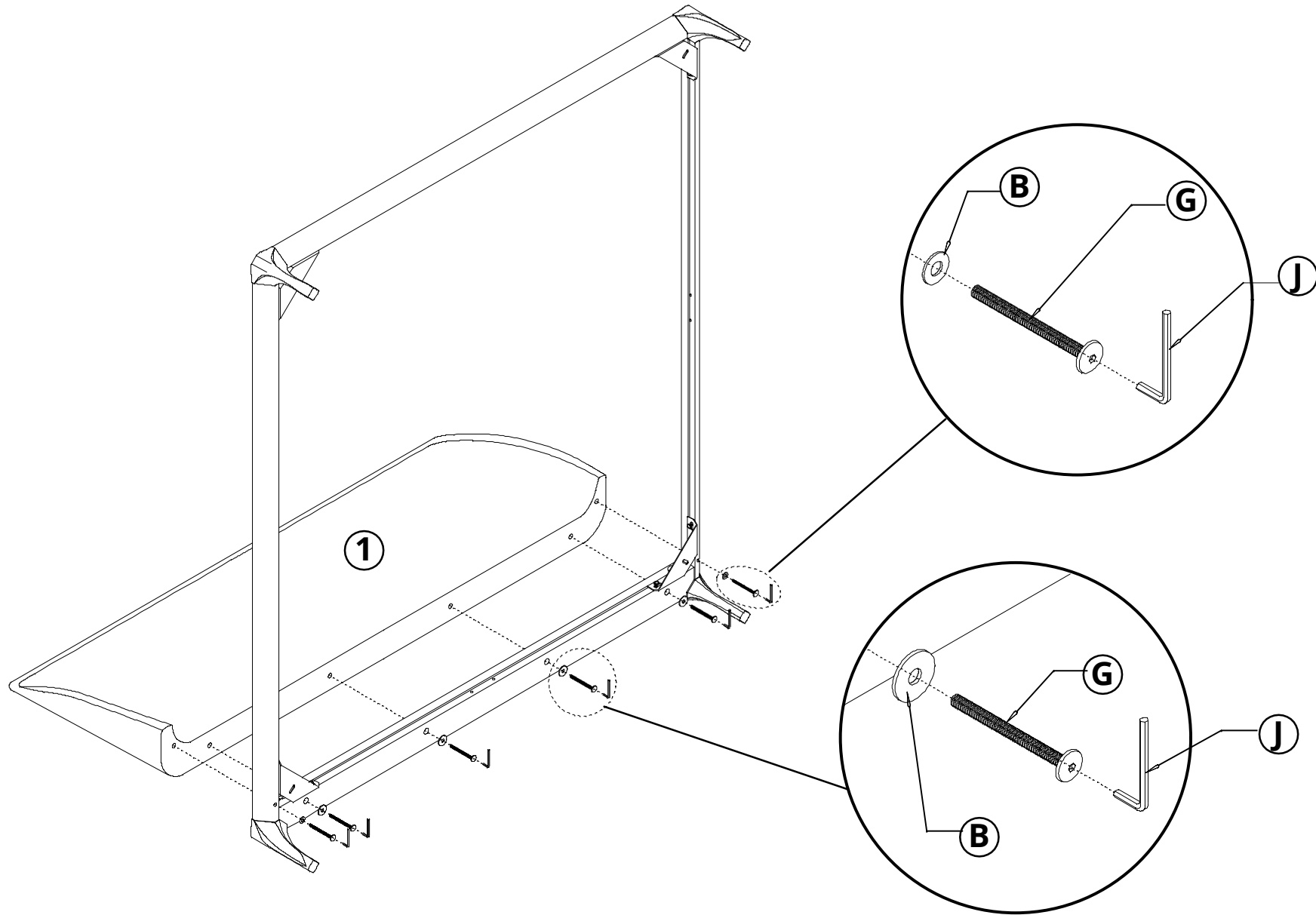
STEP 1





# ASSEMBLY INSTRUCTION VANDERBILT 5803-CK

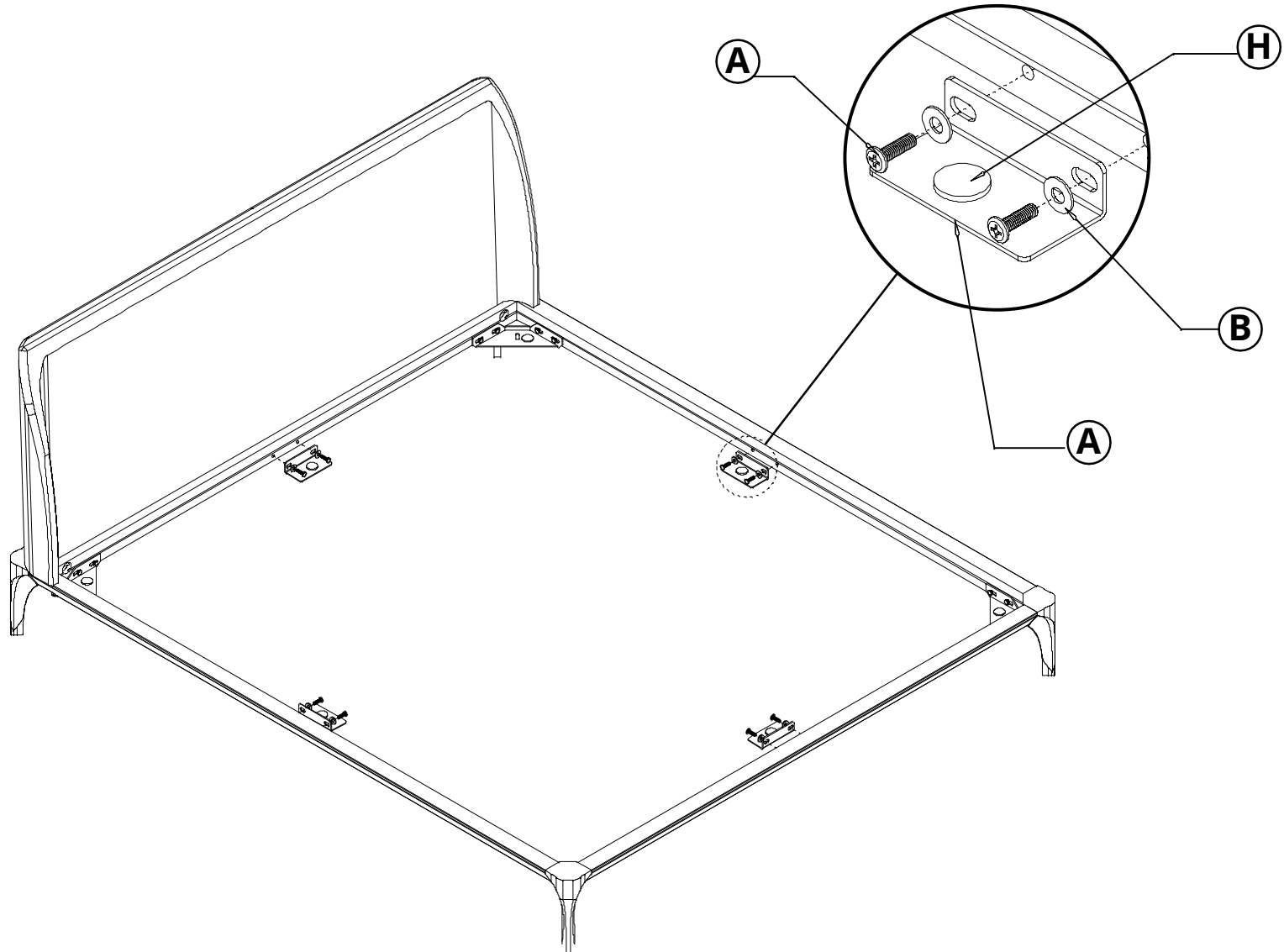
STEP 2





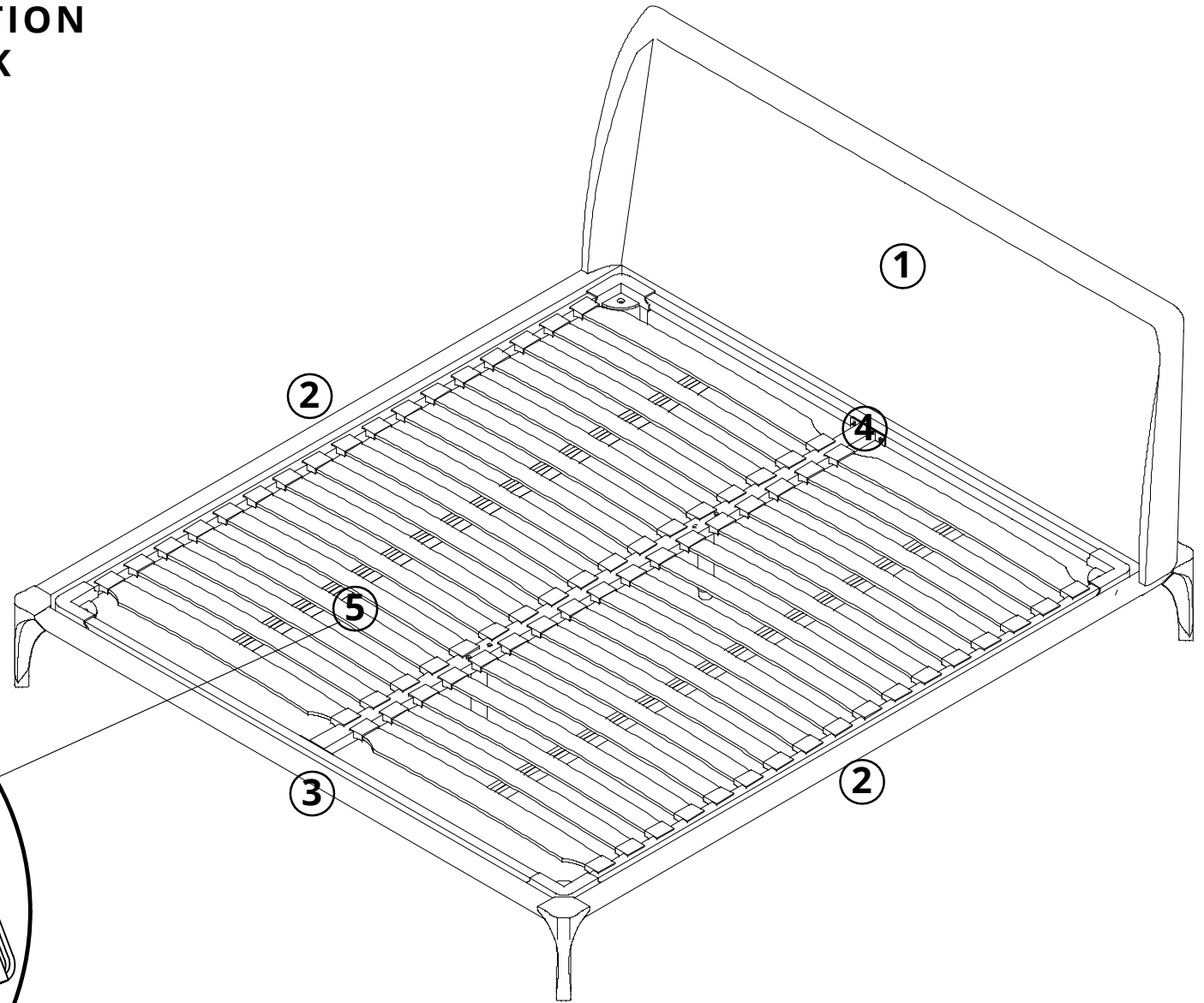
# ASSEMBLY INSTRUCTION VANDERBILT 5803-CK

STEP 3





# ASSEMBLY INSTRUCTION VANDERBILT 5803-CK



## STEP 4

